

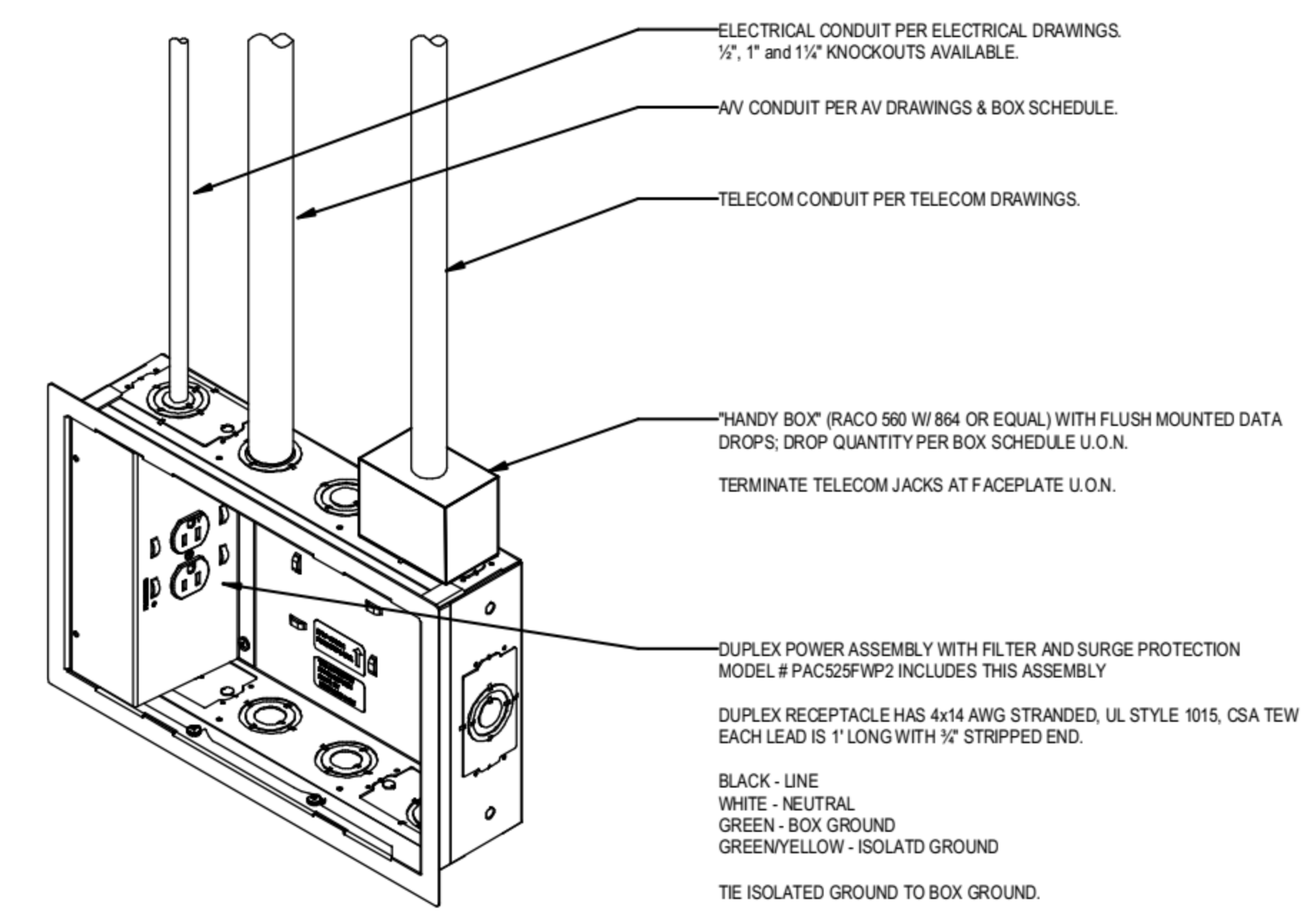
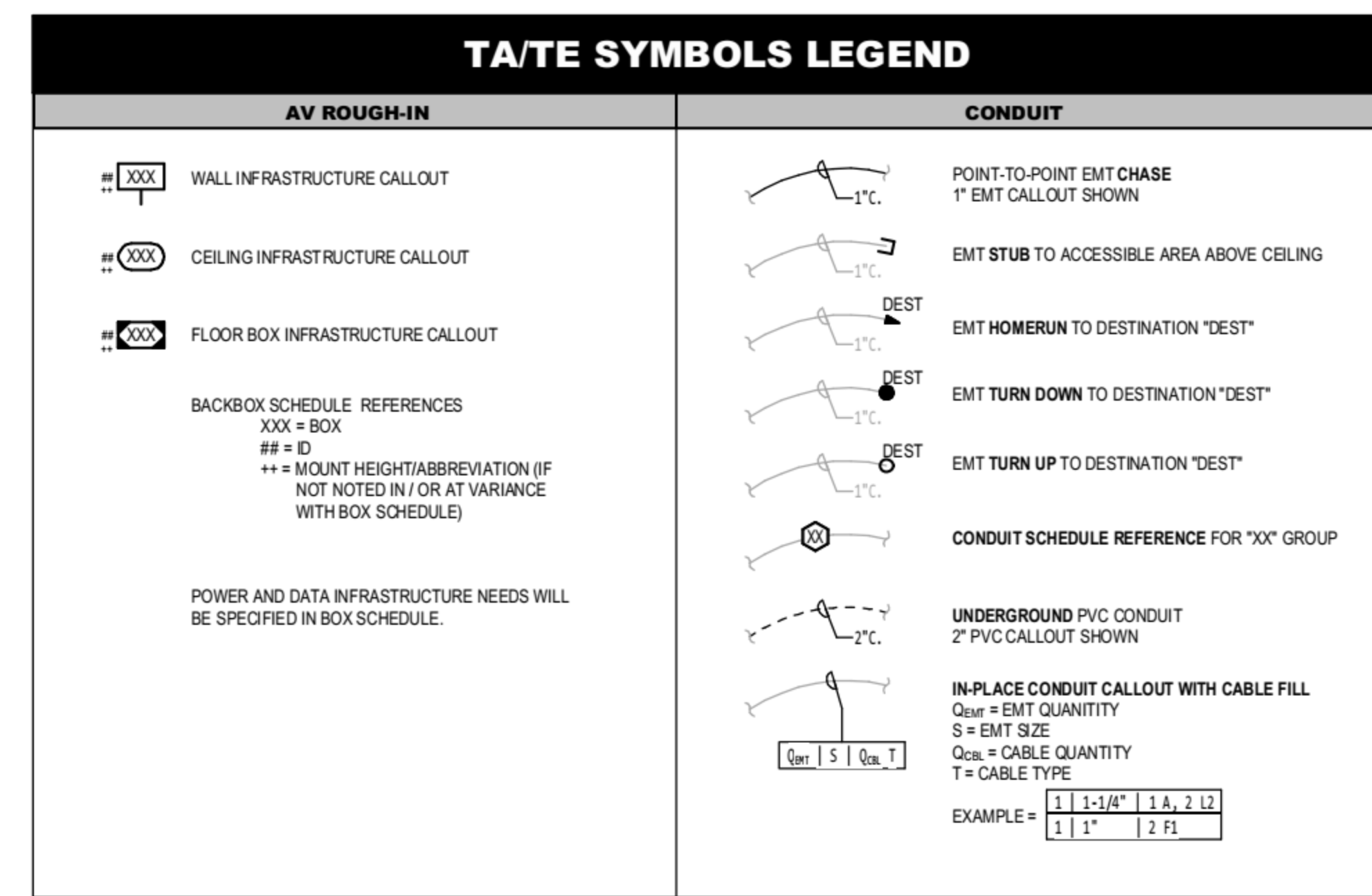
Rev	Date	Notes	By
1	10/07/2021	Review	BK

Drawing Name:
Rawlings Renovation
SO#
PR# 2780
Drawing No:
AV-01

AV BACK BOX SCHEDULE										
BOX	DEVICE	SURFACE/ FLUSH	BOX DESCRIPTION	MAKE	MODEL	W	H	D	PROVIDED BY	INSTALLED BY
ANT	MICROPHONE ANTENNAS	FLUSH	4-11/16 SQ DEEP BOX W/ 2-GANG MUD RING	RACO	260 w/841	4 11/16"	4 11/16"	3 1/4"	EC	EC
AV	AV INPUT	FLUSH	4-11/16 SQ DEEP BOX W/ 2-GANG MUD RING	RACO	260 w/841	4 11/16"	4 11/16"	3 1/4"	EC	EC
AV4	AV INPUT	FLUSH	4-GANG BOX W/ 4-GANG MUD RING	RACO	943 w/823	10 7/16"	4 1/2"	2 1/2"	EC	EC
BC1	BUTTON CONTROL PANEL	FLUSH	4-11/16 SQ DEEP BOX W/ 1-GANG MUD RING	RACO	260 w/837	4 11/16"	4 11/16"	3 1/4"	EC	EC
BC2	BUTTON CONTROL PANEL	FLUSH	4-11/16 SQ DEEP BOX W/ 2-GANG MUD RING	RACO	260 w/841	4 11/16"	4 11/16"	3 1/4"	EC	EC
BC3	BUTTON CONTROL PANEL	FLUSH	4 SQUARE BOX W/ 2-GANG MUD RING	RACO	233 w/778	4"	4"	2 1/8"	EC	EC
BC4	BUTTON CONTROL PANEL	FLUSH	4-11/16 SQ DEEP BOX W/ 1-GANG MUD RING	RACO	260 w/837	4 11/16"	4 11/16"	3 1/4"	EC	EC
CAM	PTZ CAMERA	FLUSH	4-11/16 SQ DEEP BOX W/ 2-GANG MUD RING	RACO	260 w/841	4 11/16"	4 11/16"	3 1/4"	EC	EC
PRJ	VIDEO PROJECTOR	SURFACE	4-11/16 SQ DEEP BOX W/ 2-GANG EXPOSED DECORA WORK COVER	RACO	260 w/857	4 11/16"	4 11/16"	3 1/4"	EC	EC
PSC	PROJECTOR SCREEN CONTROL	FLUSH	4 SQ BOX W/ 1-GANG MUD RING	RACO	233 w/772	4"	4"	2 1/8"	EC	EC
RK1	AV RACK	FLUSH	12 x 12 x 4 TYPE 1 SCREW COVER	WIEGMANN	SC121204NK	12"	12"	4"	EC	EC
RK2	AV RACK	FLUSH	4-11/16 SQ DEEP BOX W/ 2-GANG MUD RING	RACO	260 w/841	4 11/16"	4 11/16"	3 1/4"	EC	EC
RS1	ROOM SCHEDULING PANEL	FLUSH	1-GANG HANDBOX	RACO	RACO 650	2"	4"	1 1/2"	EC	EC
RS2	ROOM SCHEDULING PANEL	SURFACE	N/A	N/A	N/A	1/4"	1/4"	1/4"	N/A	N/A
SW	PROJECTOR SCREEN CONTROL	FLUSH	2-GANG MANSORRY BOX	RACO	691	3 11/16"	3 3/4"	2 1/2"	EC	EC
TP	TOUCH PANEL	FLUSH	4-11/16 SQ DEEP BOX W/ 2-GANG MUD RING	RACO	260 w/841	4 11/16"	4 11/16"	3 1/4"	EC	EC
TV1	DISPLAY	FLUSH	IN-WALL STORAGE BOX w/ FLANGE & COVER & POWER	CHIEF	PAC525FWP2	14 1/4"	9"	3 7/8"	AVC	EC
TV2	DISPLAY WITH SWING ARM MOUNT	FLUSH	IN-WALL STORAGE BOX w/ FLANGE & COVER & POWER	CHIEF	PAC525FWP2	35 5/8"	23 3/8"	3 15/16"	AVC	EC

CHIEF TA500

PROJECT CABLE TYPE SCHEDULE				
Cable ID	Label	Cable Type	Supplier	Mnf. Part #
A	Audio	Audio / Control Cable	Covid Audio Visual	CSP3200-22
AN	Antenna	RGB Wireless Antenna Cable	Liberty Wire & Cable	RG8-CMP-BLK
C	Control	Audio / Control Cable	Covid Audio Visual	CSP3200-22
HD	HDMI	HDMI Premade Cable	Covid Audio Visual	HDPR-15
HD	HDMI	HDMI Premade Cable	Crestron	CBL-HD-(6, 12)
M	Microphone	Audio / Control Cable	Covid Audio Visual	CSP3200-22
N	Network	Category 6 Unshielded	Covid Audio Visual	P-C6-BLK
S	Speaker	Speaker Cable	Covid Audio Visual	CVA3200-16
SD	HDSDI	HDSDI Video Cable	Covid Audio Visual	P-RG6-HDSDI
TR	Tranmitter/Receiver	Category 6 Unshielded	Covid Audio Visual	P-C6-BLK
TR	Tranmitter/Receiver	Category 6 Shielded	Covid Audio Visual	P-C6F-BLK
U	USB	USB Premade Cable	Covid Audio Visual	USB-AB-(6, 10, 15)



CHIEF PAC525FWP2 TV BACKBOX DETAIL 1
TA-001



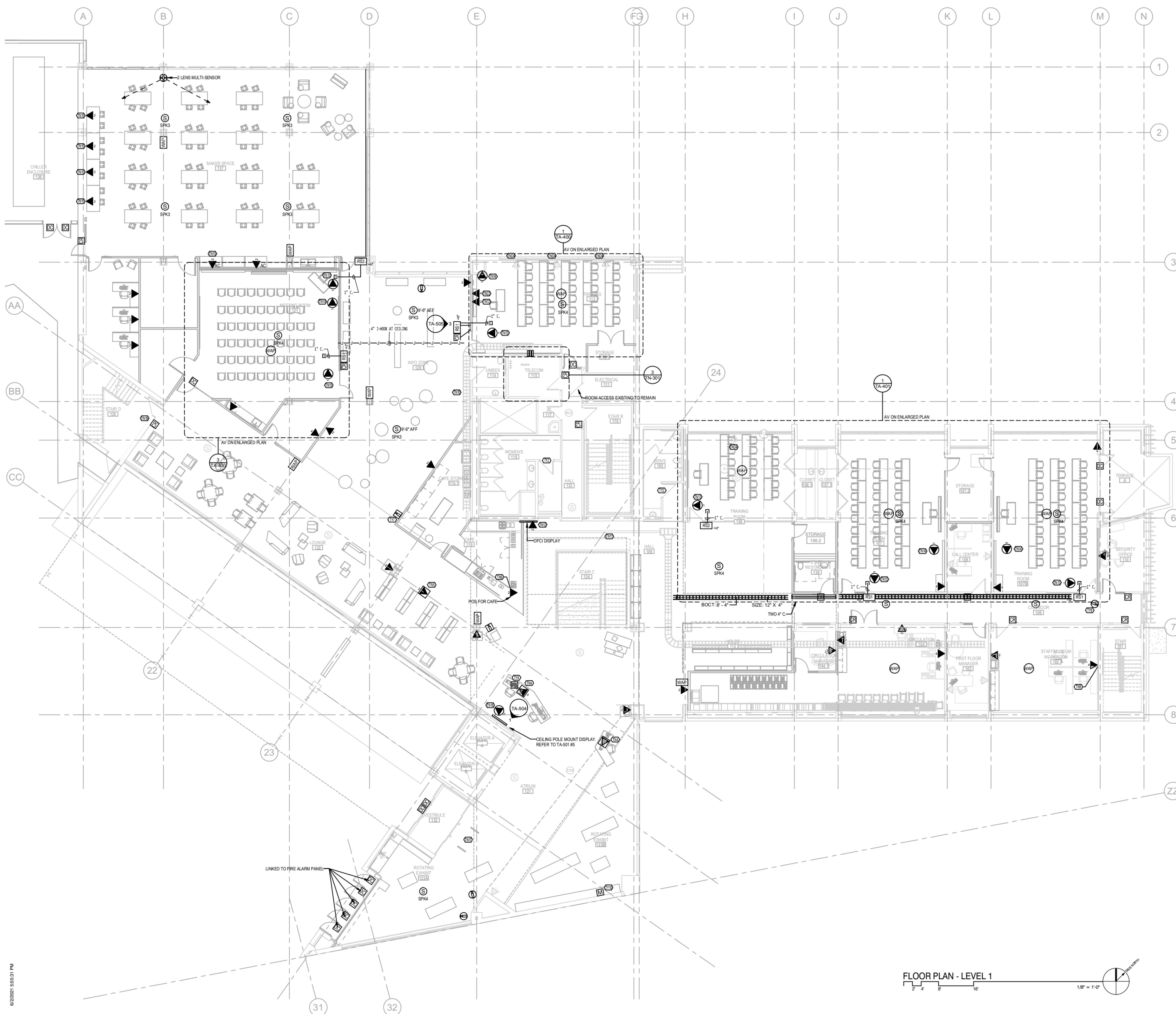
CCS Presentation Systems
 700 West Mississippi Ave A6
 Denver, CO 80228
 T: 303-694-3923 F: 303-592-2126
 W www.CCSProjects.com

Rawlings Library
 2021 Renovation
 100 East Abriendo Ave.
 Pueblo, CO 81004

Drawing Revisions:				
Rev	Date	Notes	By	
1	10/07/2021	Review	BK	

Drawing Name:
 Rawlings Renovation
 SO#
 PR# 2780
 Drawing No:
 AV-02

NOTES



KEYNOTE LEGEND	
ID	DESCRIPTION
TN4	POKE THRU PER E DRAWINGS.
TN5	POKE THRU PER E DRAWINGS TO OPAC/SELF CHECK.
TN9	PROVIDE OUTLET HEIGHT ROUGH-IN FOR DATA WITH PASSTHROUGH COVER FOR TERMINATING DATA AT FURNITURE.
TN10	EXISTING TO REMAIN CABLE TRAY.
TN11	EXISTING TO REMAIN CONDUIT 4" ABOVE CEILING.
TN12	MOUNT DATA IN TV BACKBOX.
TN13	SURFACE MOUNT DATA ABOVE ACCESSIBLE CEILING.
TN14	SURFACE MOUNT DATA ABOVE ACCESSIBLE CEILING, REFER TO TA SHEETS FOR DEVICE.
TN15	DATA DROP ABOVE COUNTER HEIGHT.
TN16	POWER POLE, REFER TO SECTION 27 05 39.
TN17	1" CONDUIT STUB FOR DATA TO SECURITY GATE. COORDINATE WITH INSTALLATION.
TN19	PROVIDE WIREMOLD V700 RACEWAY ON INTERIOR OF STAIRWELL TO SECURITY DEVICE. REFER TO SECTION 27 05 39.
TN22	
TND4	IF CAT6 THEN RETAIN. IF NOT CAT6 THEN DEMO.
TY2	EXISTING ACCESS CONTROL TO REMAIN.
TY4	PANIC BUTTON MOUNTED UNDER DESK. PROVIDE DEDICATED 1/2" CONDUIT SLEEVE THROUGH FLOOR.
TY7	WALL MOUNT SECURITY CAMERA.
TY9	RELOCATE EXISTING CAMERA.
TY10	MOTION TO BE DIRECTED TOWARDS ENTRY VESTIBULE. MOUNT ON WALL 6" BELOW SOFFIT.

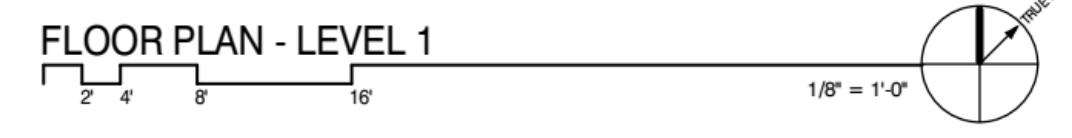


CCS Presentation Systems
 700 West Mississippi Ave A6
 Denver, CO 80228
 T: 303-694-3923 F: 303-592-2126
 Wwww.CCSProjects.com

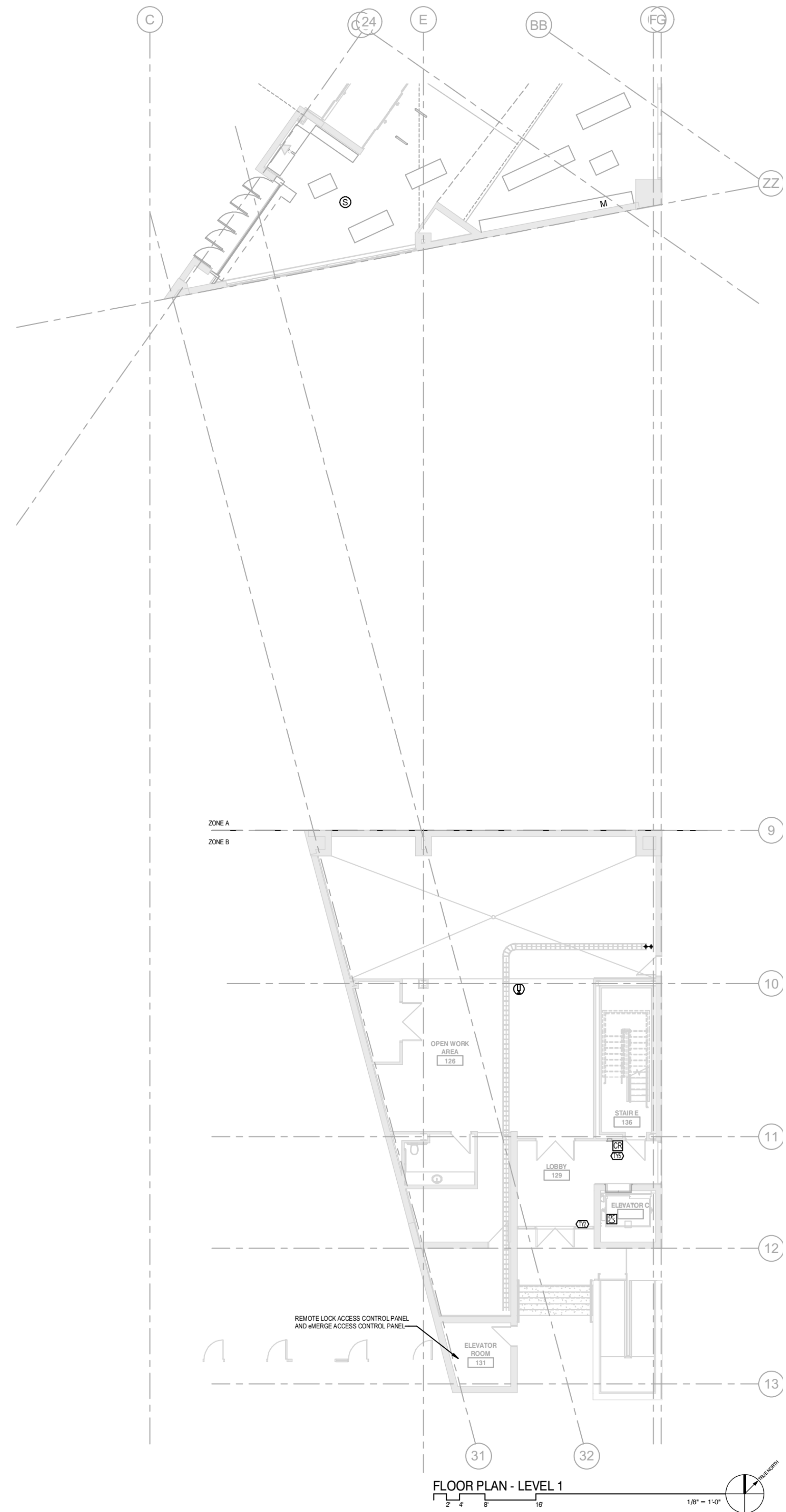
Rawlings Library
 2021 Renovation
 100 East Abriendo Ave.
 Pueblo, CO 81004

Drawing Revisions:			
Rev	Date	Notes	By
1	10/07/2021	Review	BK

Drawing Name:
 Rawlings Renovation
 SO#
 PR# 2780
 Drawing No:
AV 1.00



FLOORPLAN LEVEL 1



CCS Presentation Systems
 700 West Mississippi Ave A6
 Denver, CO 80228
 T: 303-694-3823 F: 303-592-2126
 Wwww.CCSProjects.com

Rawlings Library
 2021 Renovation
 100 East Abriendo Ave.
 Pueblo, CO 81004

Drawing Revisions:

Rev	Date	Notes	By
1	10/07/2021	Review	BK

Drawing Name:
 Rawlins Renovation
 SO#
 PR# 2780
 Drawing No:
AV 1.01

FLOORPLAN LEVEL 1



KEYNOTE LEGEND	
ID	DESCRIPTION
TA19	GLASS MOUNTED CONTROL PANEL
TN4	POKE THRU PER E DRAWINGS.
TN5	POKE THRU PER E DRAWINGS TO OPAC/SELF CHECK.
TN6	POKE THRU PER E DRAWINGS TO FURNITURE.
TN12	MOUNT DATA IN TV BACKBOX.
TN13	SURFACE MOUNT DATA ABOVE ACCESSIBLE CEILING
TN14	SURFACE MOUNT DATA ABOVE ACCESSIBLE CEILING, REFER TO TA SHEETS FOR DEVICE
TN18	DATA CONDUIT SHARED WITH AV, SEE TA SHEETS
TN20	2" CONDUIT FROM ABOVE LOW CEILING TO HIGH CEILING VIA MECHANICAL CHASE.
TN21	2" CONDUIT CHASE BETWEEN ROOMS.
TY2	EXISTING ACCESS CONTROL TO REMAIN
TY4	PANIC BUTTON MOUNTED UNDER DESK. PROVIDE DEDICATED 1/2" CONDUIT SLEEVE THROUGH FLOOR.
TY8	PROVIDE CONDUIT ON INTERIOR OF STAIRWELL TO CARD READER MOUNTED ON WALL SHOWN

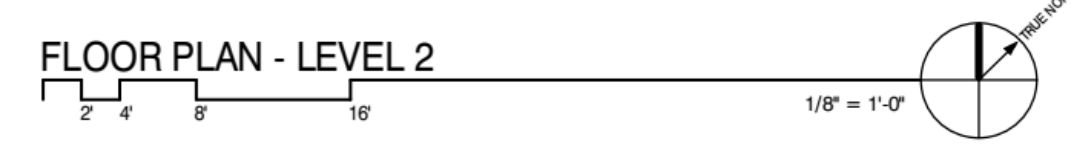


CCS Presentation Systems
 700 West Mississippi Ave A6
 Denver, CO 80228
 T: 303-694-3923 F: 303-592-2126
 Wwww.CCSProjects.com

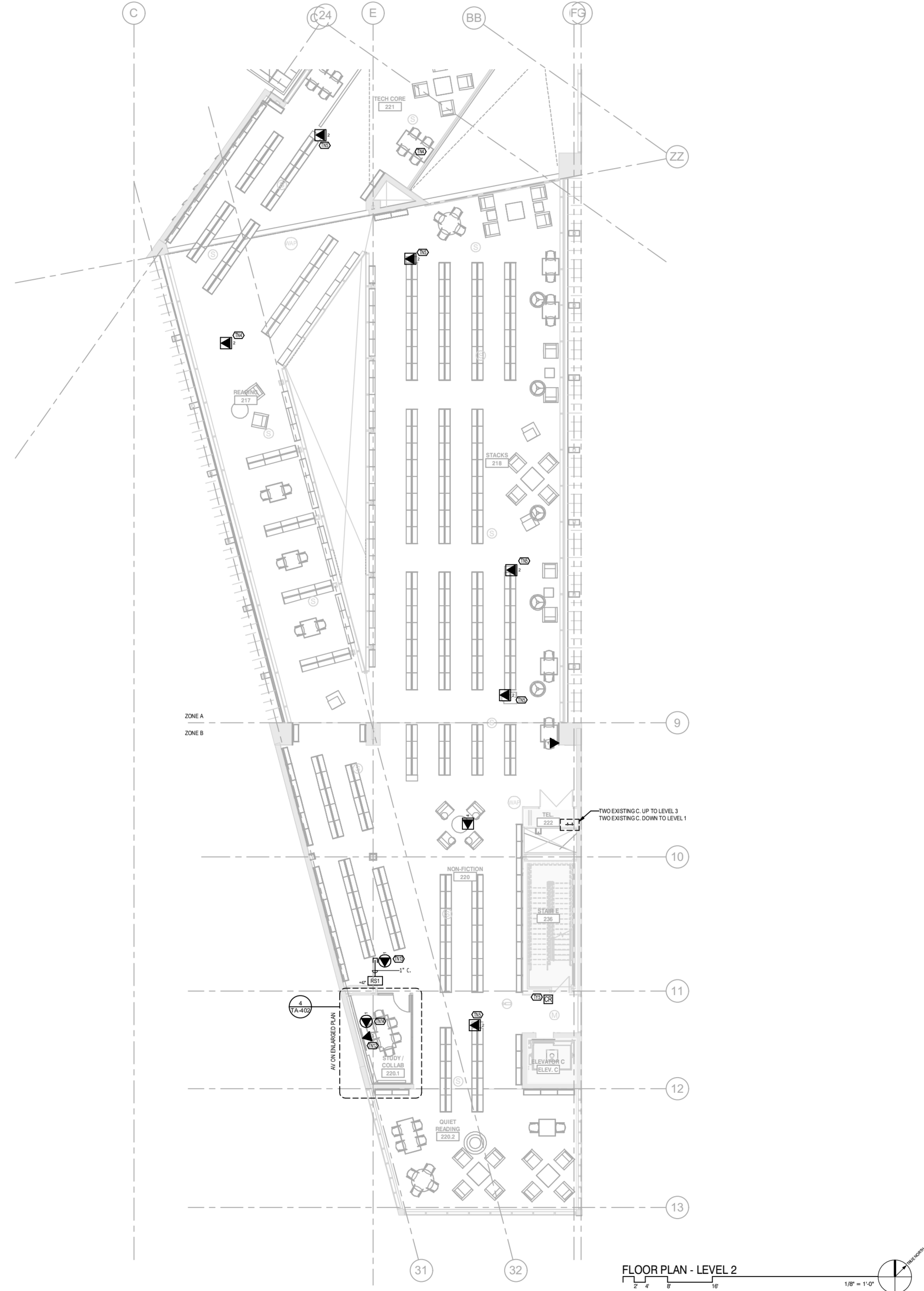
Rawlins Library
 2021 Renovation
 100 East Abriendo Ave.
 Pueblo, CO 81004

Drawing Revisions:			
Rev	Date	Notes	By
1	10/07/2021	Review	BK

Drawing Name:
 Rawlins Renovation
 SO#
 PR# 2780
 Drawing No:
AV 1.02



FLOORPLAN LEVEL 2



TX#	KEYNOTE LEGEND
ID	DESCRIPTION
TN4	POKE THRU PER E DRAWINGS.
TN5	POKE THRU PER E DRAWINGS TO OPAC/SELF CHECK.
TN12	MOUNT DATA IN TV BACKBOX.
TN13	SURFACE MOUNT DATA ABOVE ACCESSIBLE CEILING.
TN14	SURFACE MOUNT DATA ABOVE ACCESSIBLE CEILING, REFER TO TA SHEETS FOR DEVICE.
TY5	ACCESS CONTROL DEVICE TO CONTROLLER IN ELEVATOR CONTROL ROOM 131.



CCS Presentation Systems
 700 West Mississippi Ave A6
 Denver, CO 80228
 T: 303-694-3923 F: 303-592-2126
 Wwww.CCSProjects.com

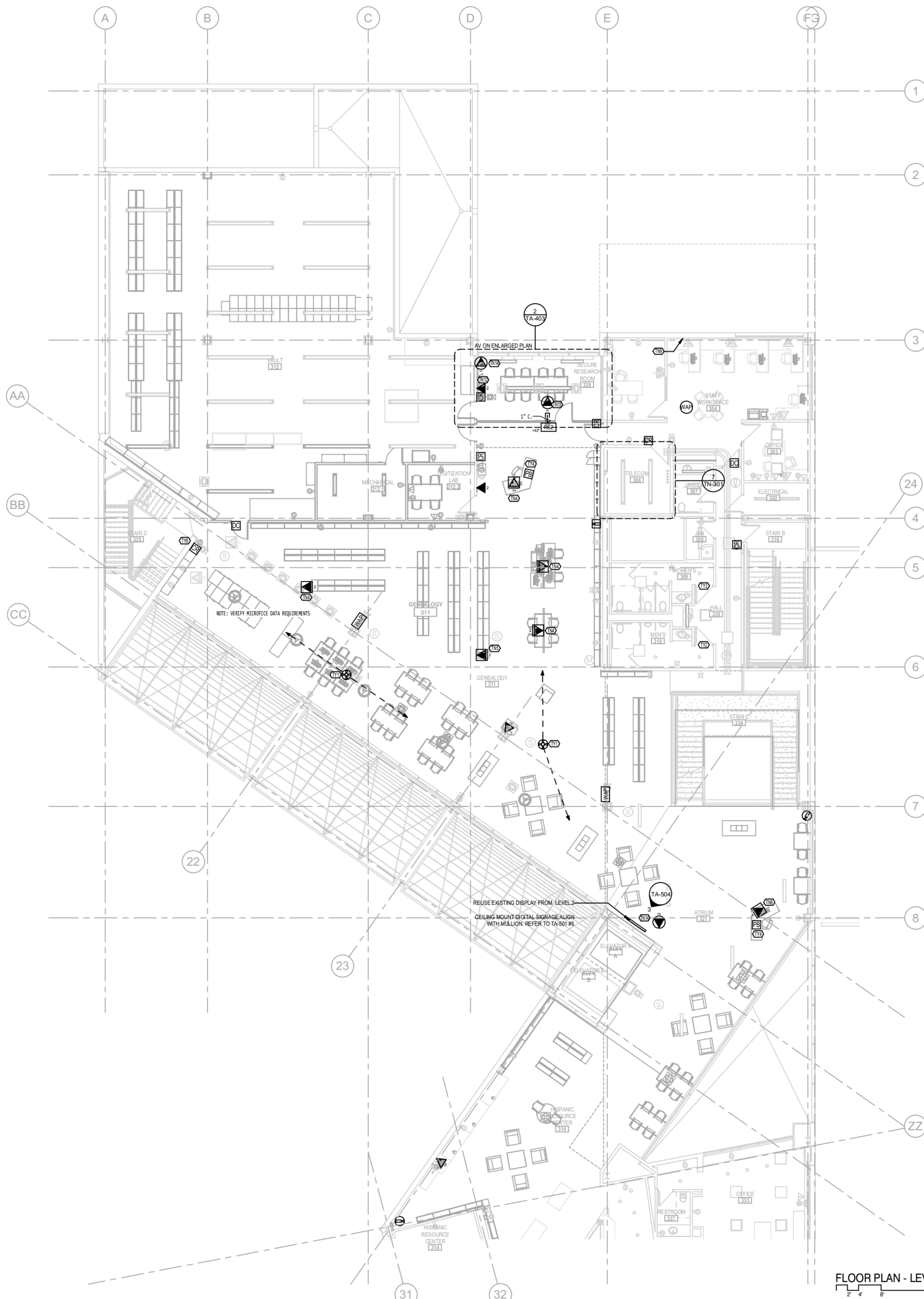
Rawlings Library
 2021 Renovation
 100 East Abriendo Ave.
 Pueblo, CO 81004

Drawing Revisions:			
Rev	Date	Notes	By
1	10/07/2021	Review	BK

Drawing Name:
 Rawlins Renovation
 SO#
 PR# 2780
 Drawing No:
AV 1.03

FLOOR PLAN - LEVEL 2
 1/8" = 1'-0"

FLOORPLAN LEVEL 2



ID	DESCRIPTION
TN4	POKE THRU PER E DRAWINGS.
TN5	POKE THRU PER E DRAWINGS TO OPAC/SELF CHECK.
TN6	POKE THRU PER E DRAWINGS TO FURNITURE.
TN9	PROVIDE OUTLET HEIGHT ROUGH-IN FOR DATA WITH PASSTHROUGH COVER FOR TERMINATING DATA AT FURNITURE.
TN12	MOUNT DATA IN TV BACKBOX.
TN13	SURFACE MOUNT DATA ABOVE ACCESSIBLE CEILING.
TN14	SURFACE MOUNT DATA ABOVE ACCESSIBLE CEILING, REFER TO TA SHEETS FOR DEVICE.
TY1	TWO LENS MULTI SENSOR CAMERA.
TY2	EXISTING ACCESS CONTROL TO REMAIN.
TY4	PANIC BUTTON MOUNTED UNDER DESK. PROVIDE DEDICATED 1/2\" CONDUIT SLEEVE THROUGH FLOOR.
TY8	PROVIDE CONDUIT ON INTERIOR OF STAIRWELL TO CARD READER MOUNTED ON WALL SHOWN.



CCS Presentation Systems
 700 West Mississippi Ave A6
 Denver, CO 80228
 T: 303-694-3923 F: 303-592-2126
 W: www.CCSProjects.com

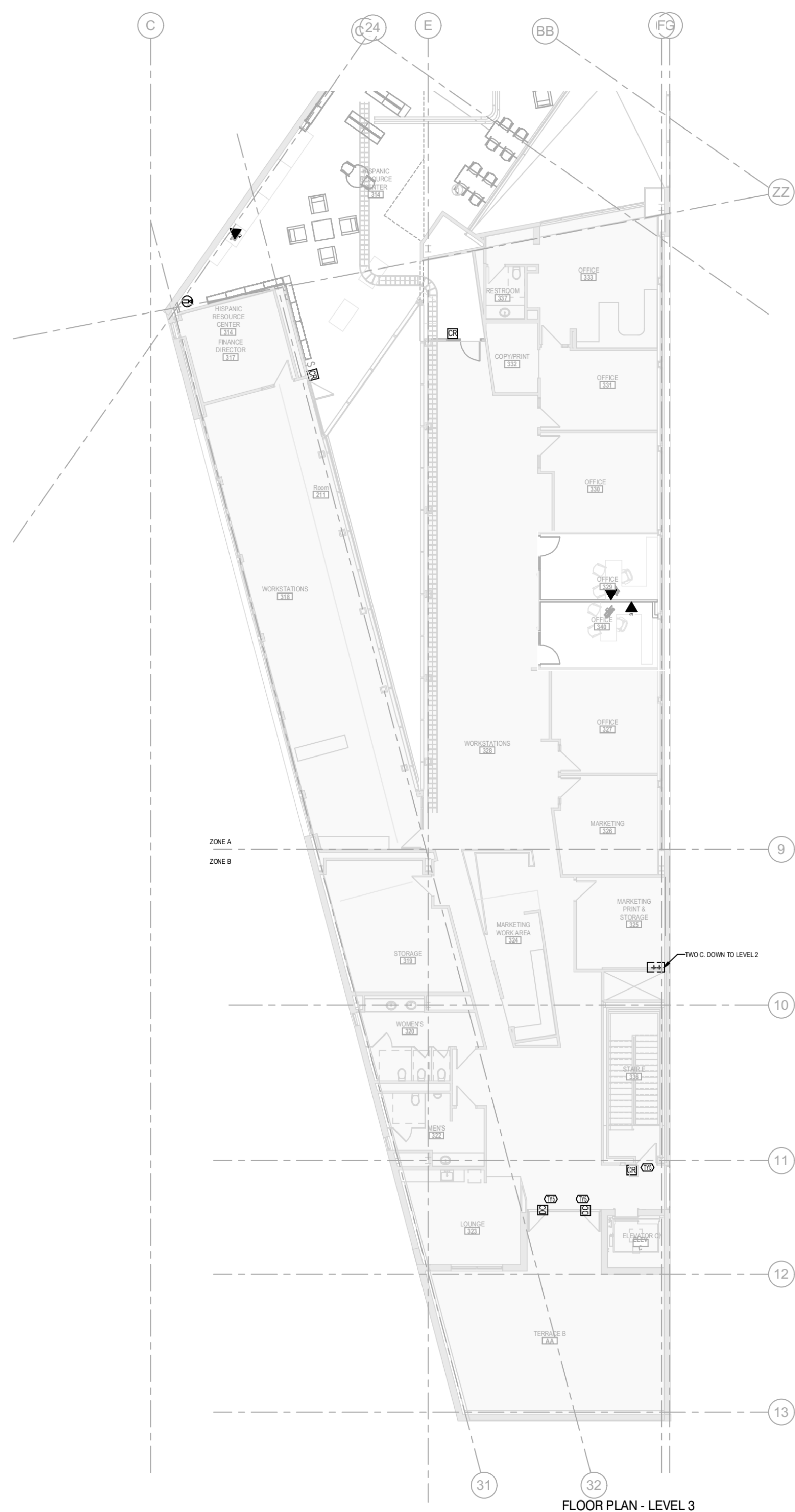
Rawlings Library
 2021 Renovation
 100 East Abriendo Ave.
 Pueblo, CO 81004

Rev	Date	Notes	By
1	10/07/2021	Review	BK

Drawing Name:
 Rawlings Renovation
 SO#
 PR# 2780
 Drawing No:
AV 1.04

FLOOR PLAN - LEVEL 3
 1/8" = 1'-0"

FLOORPLAN LEVEL 3



ID	DESCRIPTION
TY5	ACCESS CONTROL DEVICE TO CONTROLLER IN ELEVATOR CONTROL ROOM 131



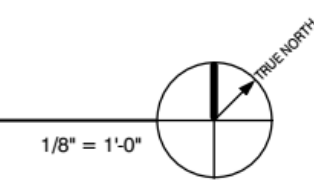
CCS Presentation Systems
 700 West Mississippi Ave A6
 Denver, CO 80228
 T: 303-694-3828 F: 303-592-2126
 Wwww.CCSProjects.com

Rawlings Library
 2021 Renovation
 100 East Abriendo Ave.
 Pueblo, CO 81004

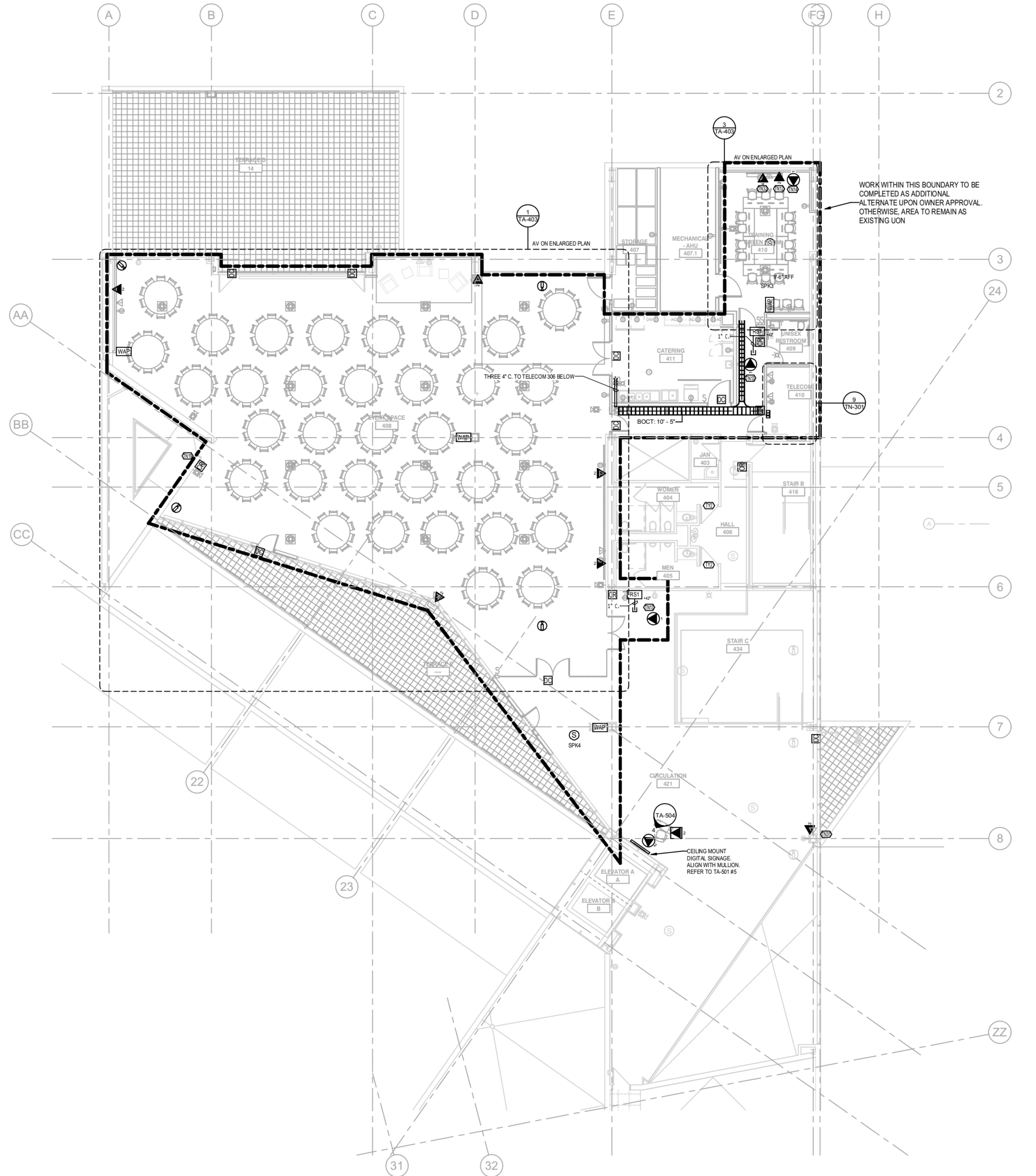
Rev	Date	Notes	By
1	10/07/2021	Review	BK

Drawing Name:
 Rawlins Renovation
 SO#
 PR# 2780
 Drawing No:
AV 1.05

FLOOR PLAN - LEVEL 3



FLOORPLAN LEVEL 3



ID	DESCRIPTION
TN12	MOUNT DATA IN TV BACKBOX.
TN13	SURFACE MOUNT DATA ABOVE ACCESSIBLE CEILING
TN14	SURFACE MOUNT DATA ABOVE ACCESSIBLE CEILING. REFER TO TA SHEETS FOR DEVICE
TN19	PROVIDE WIREMOLD V700 RACEWAY ON INTERIOR OF STAIRWELL TO SECURITY DEVICE. REFER TO SECTION 27 0539.
TN31	GROMMETED WEATHER-TIGHT PENETRATION ON BOTH INTERIOR AND EXTERIOR OF STOREFRONT MULLION. PULL CATEGORY PATCH CABLE BEFORE WEATHER SEALING. FIELD TERMINATE PATCH CABLE AT INTERIOR JACK, NOT EXTERIOR.
TN32	COORDINATE LOCATION WITH AV PER TA ENLARGED PLANS AND ELEVATION.
TY2	EXISTING ACCESS CONTROL TO REMAIN



CCS Presentation Systems
 700 West Mississippi Ave A6
 Denver, CO 80228
 T: 303-694-3923 F: 303-592-2126
 Wwww.CCSProjects.com

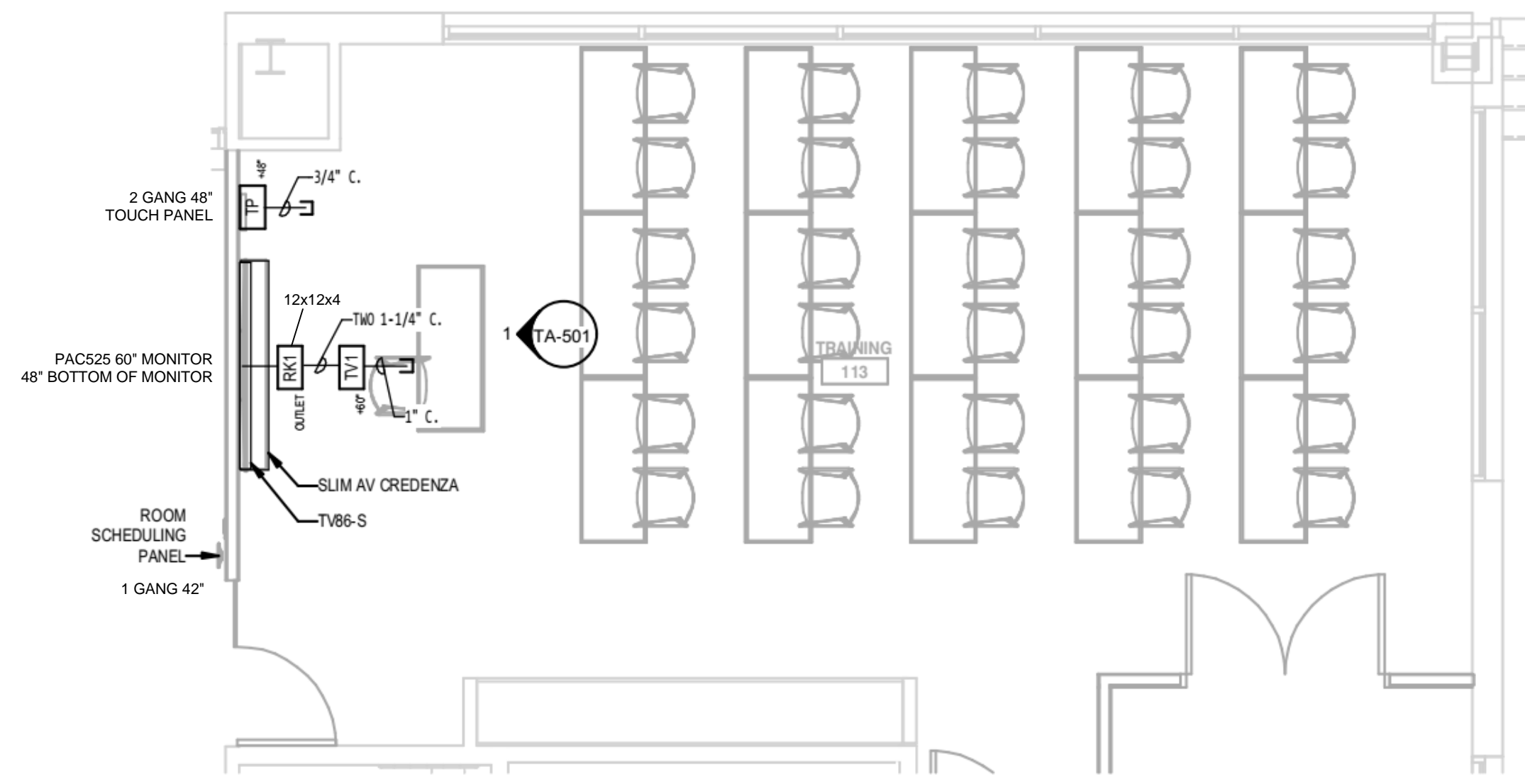
Rawlings Library
 2021 Renovation
 100 East Abriendo Ave.
 Pueblo, CO 81004

Rev	Date	Notes	By
1	10/07/2021	Review	BK

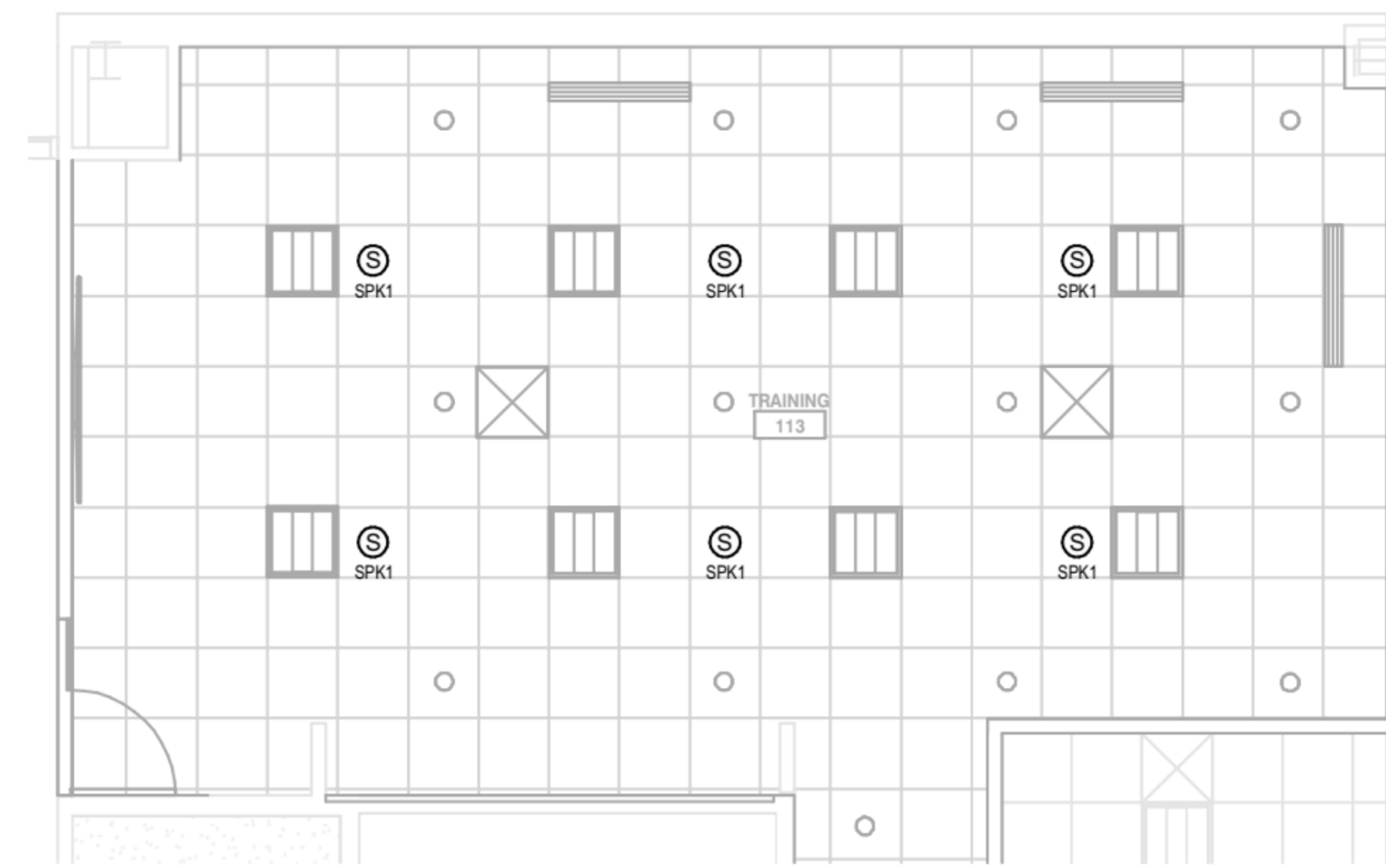
Drawing Name:
 Rawlings Renovation
 SO#
 PR# 2780
 Drawing No:
AV 1.06

FLOOR PLAN - LEVEL 4
 1/8" = 1'-0"

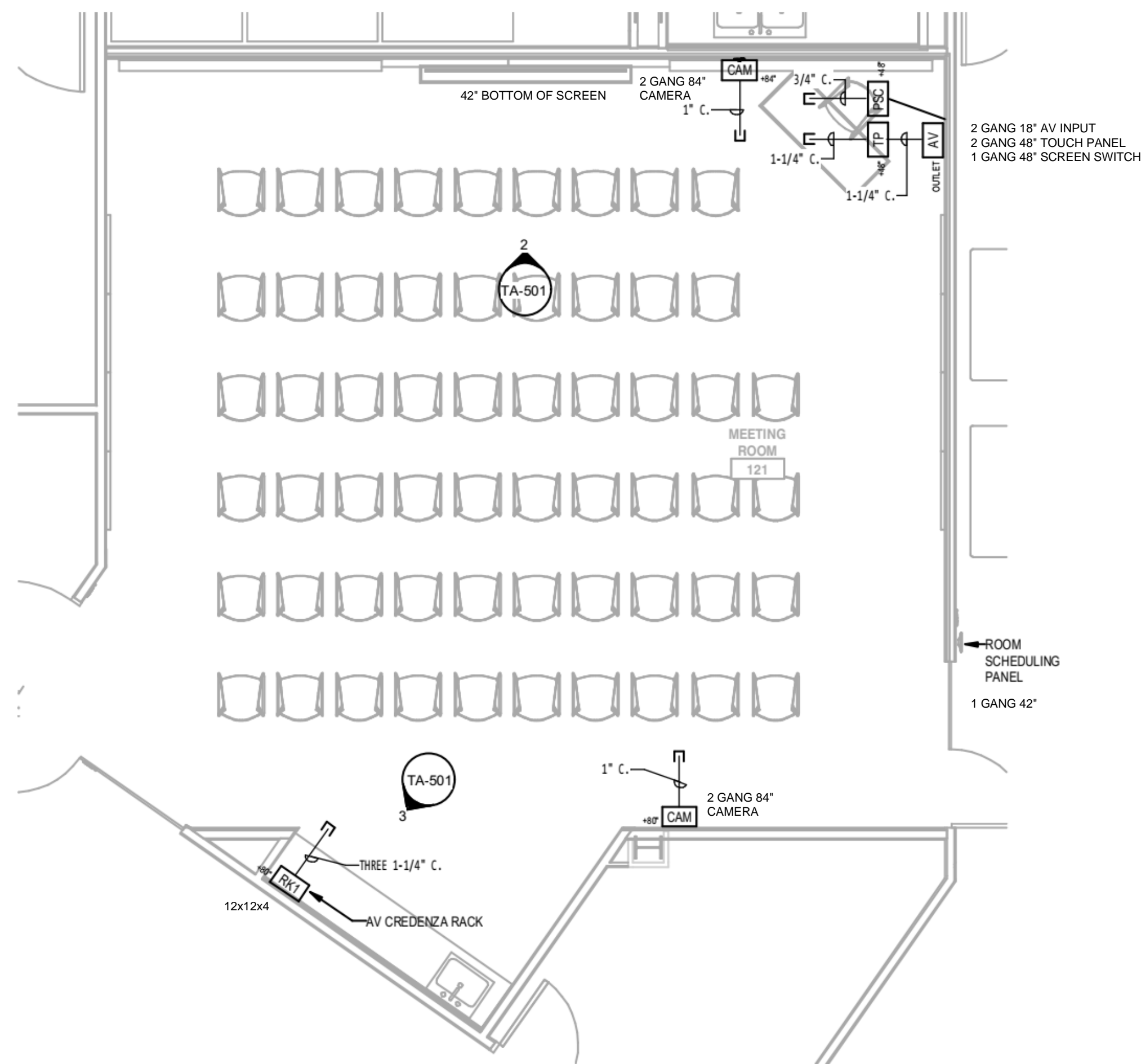
FLOORPLAN LEVEL 4



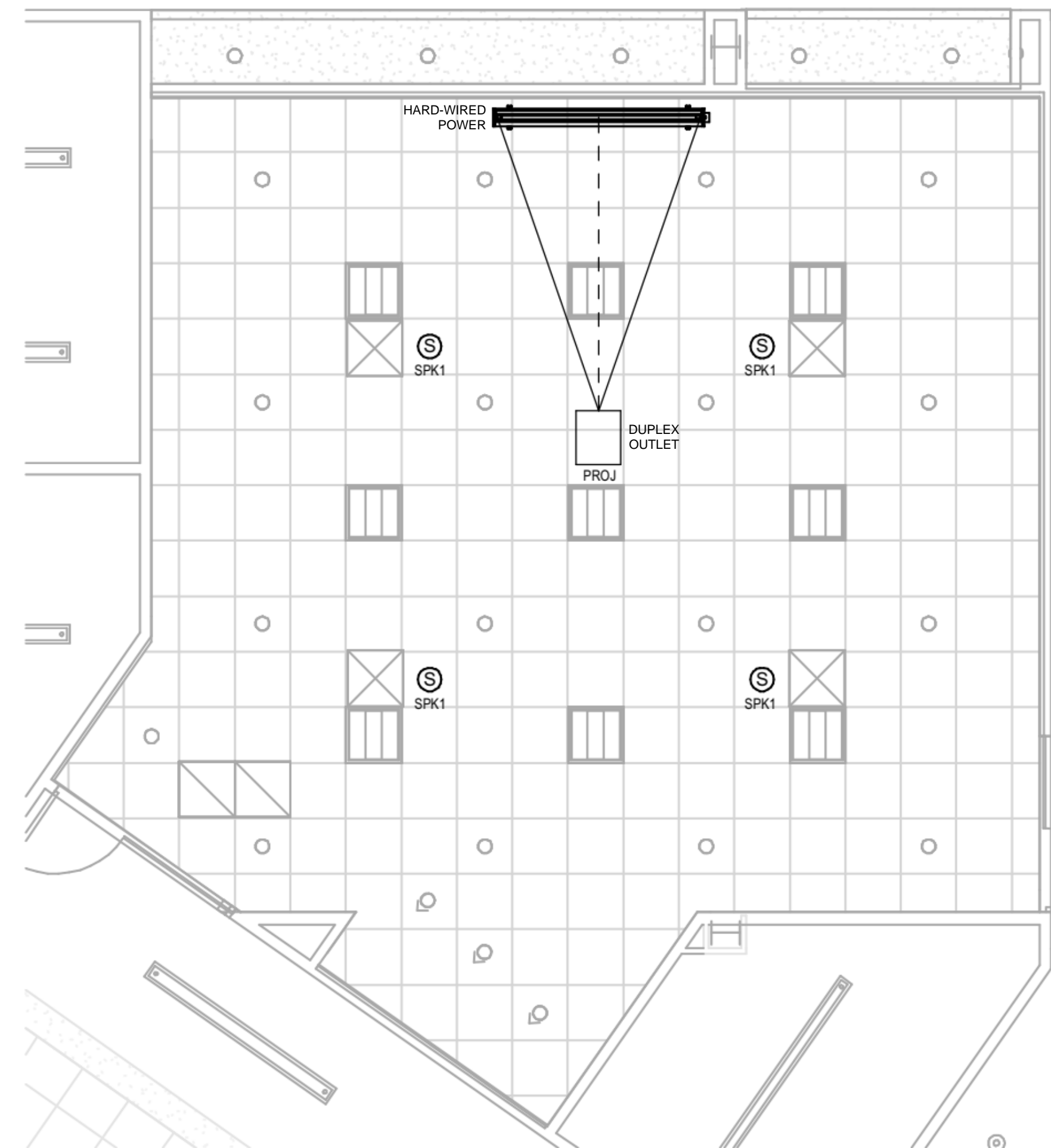
1 LEVEL 1 NORTH - TRAINING (113) - AV ROUGH-IN
1/4" = 1'-0"



2 LEVEL 1 NORTH RCP - TRAINING (113) - AV ROUGH-IN
1/4" = 1'-0"



3 LEVEL 1 NORTH - MEETING ROOM (121) - AV ROUGH-IN
1/4" = 1'-0"



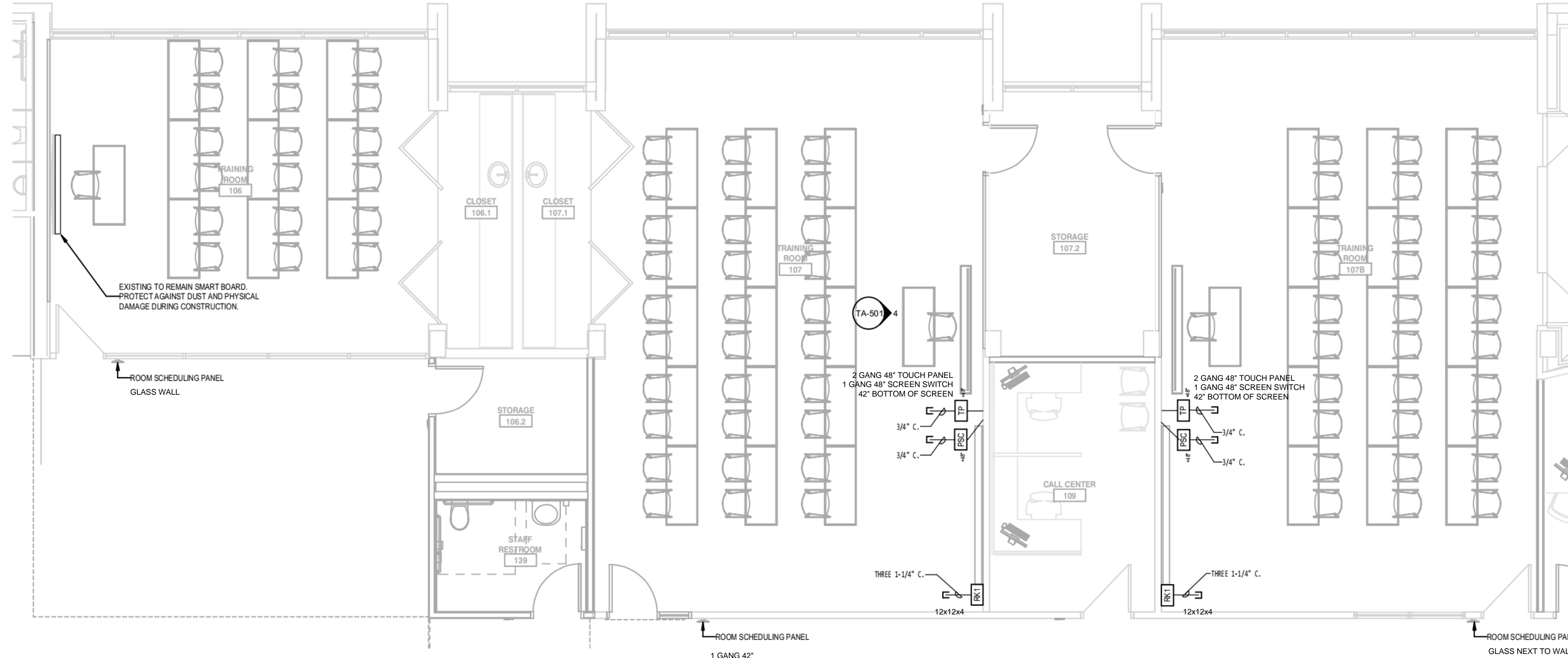
4 LEVEL 1 NORTH RCP - MEETING ROOM (121) - AV ROUGH-IN
1/4" = 1'-0"

Rev	Date	Notes	By
1	10/07/2021	Review	BK

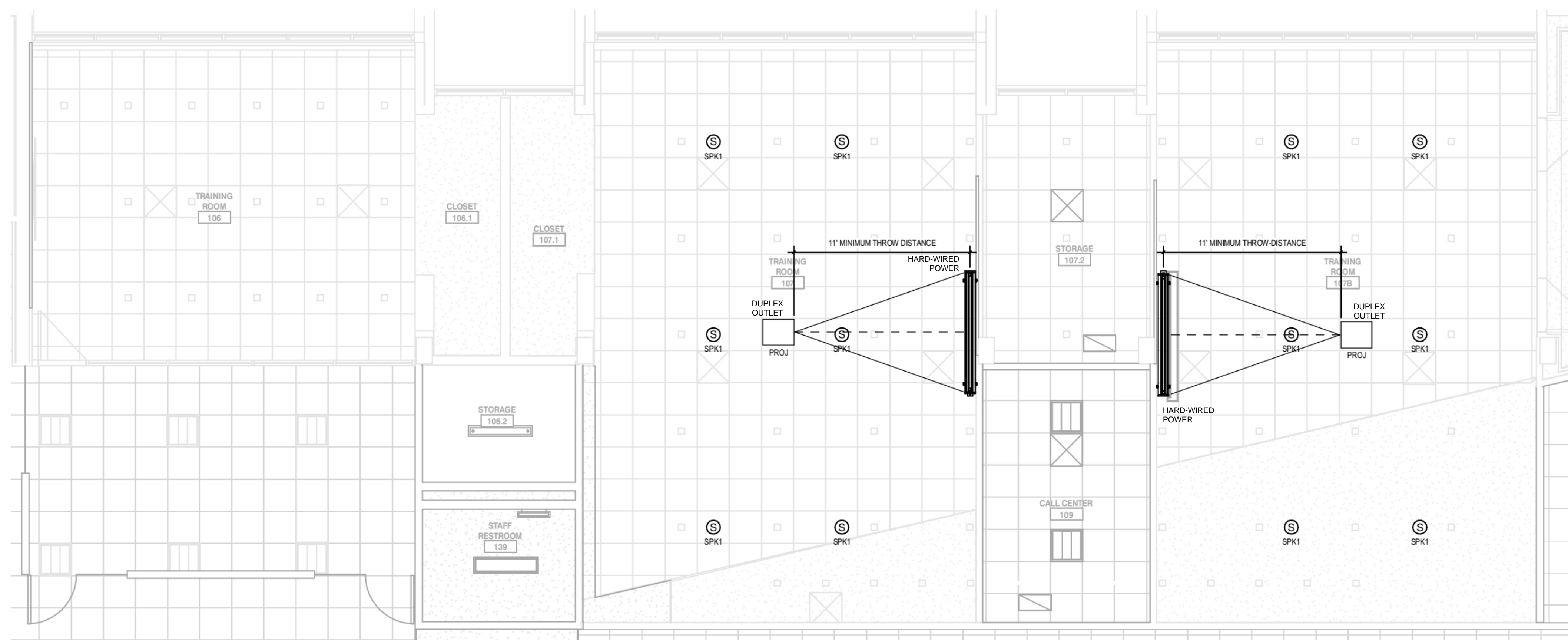
Drawing Name:
Rawlins Renovation

SO#
PR# 2780

Drawing No:
AV 1.10



1 LEVEL 1 NORTH - MEETING ROOMS (106, 107A, 107B) - AV ROUGH-IN
1/4" = 1'-0"



2 LEVEL 1 NORTH RCP - MEETING ROOMS (106, 107A, 107B) - AV ROUGH-IN
1/4" = 1'-0"

Drawing Revisions:

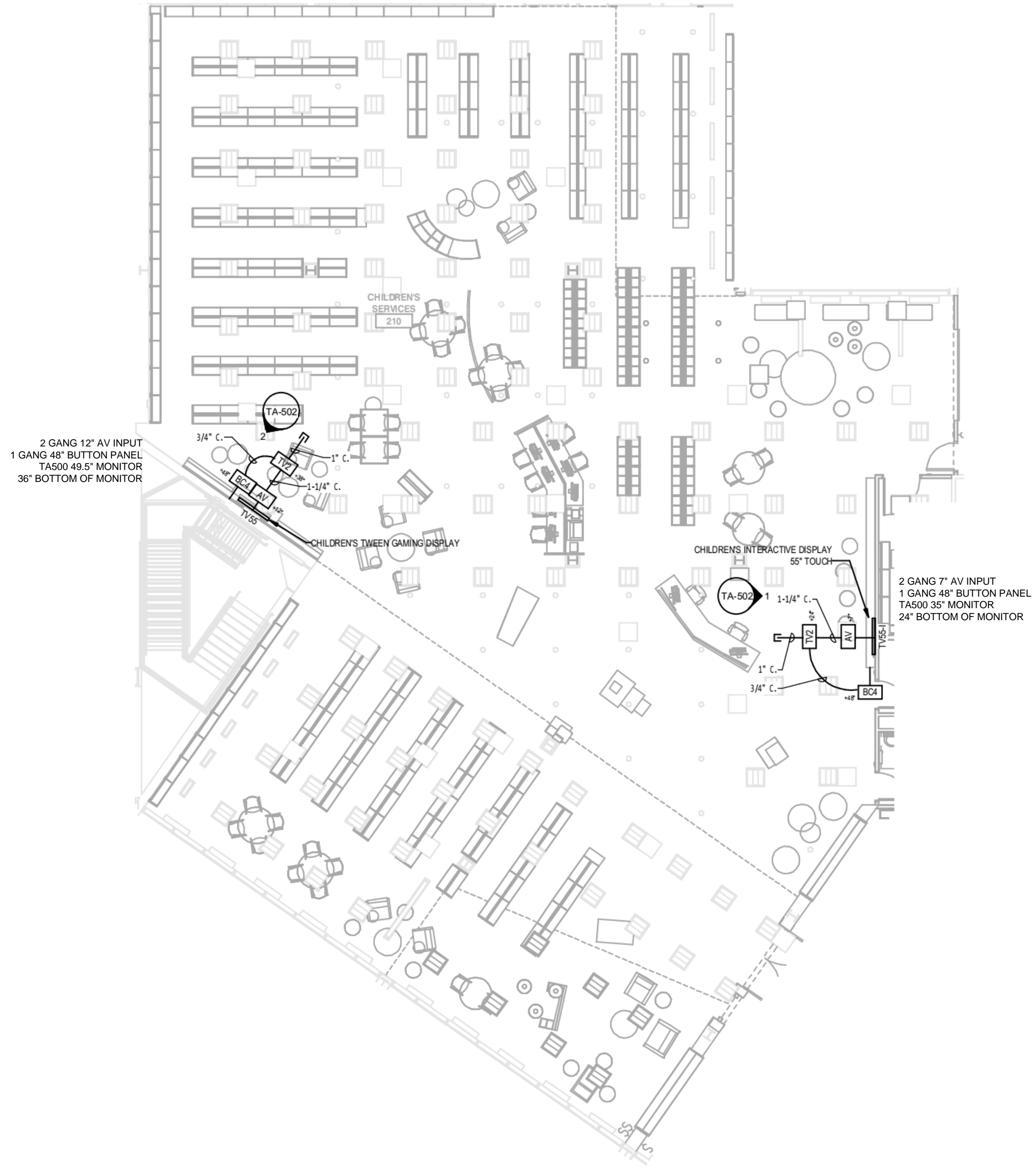
Rev	Date	Notes	By
1	10/07/2021	Review	BK

Drawing Name:
Rawlins Renovation

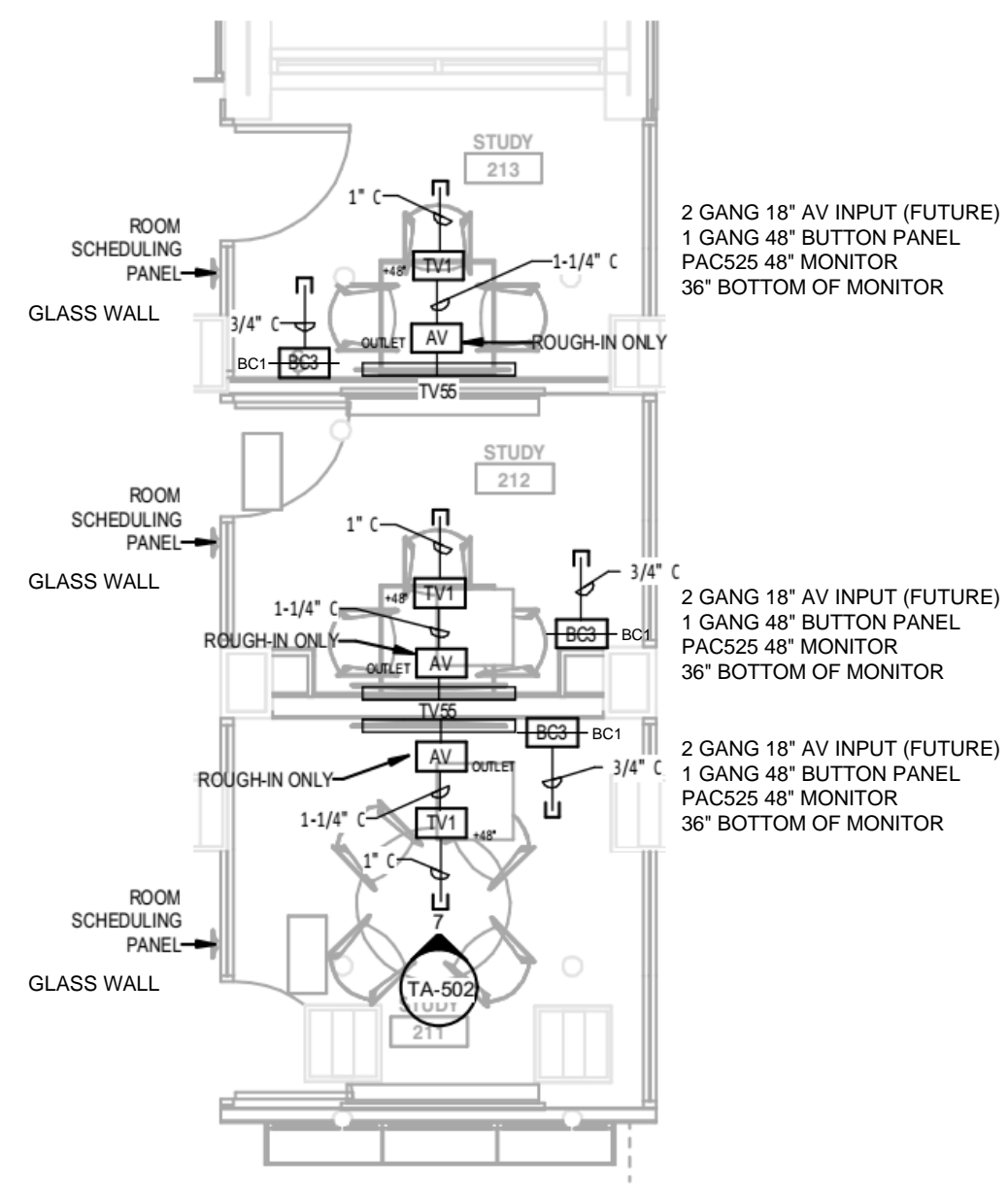
SO#

PR# 2780

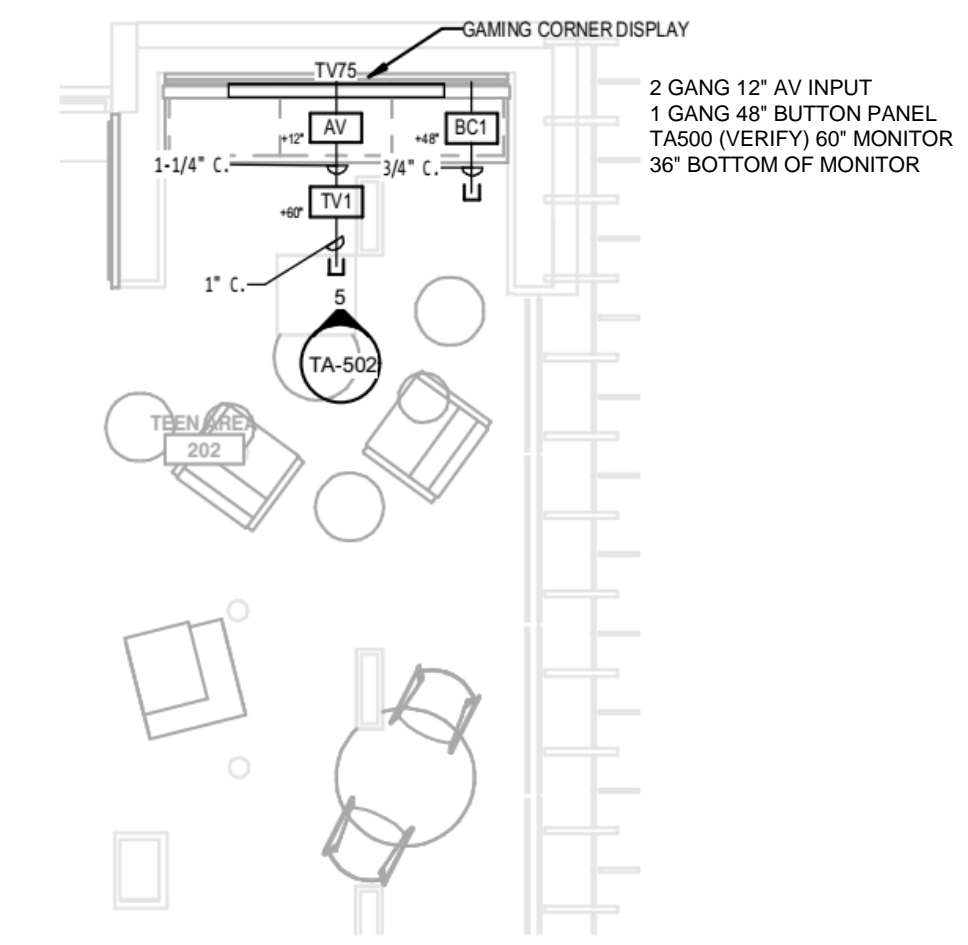
Drawing No:
AV 1.11



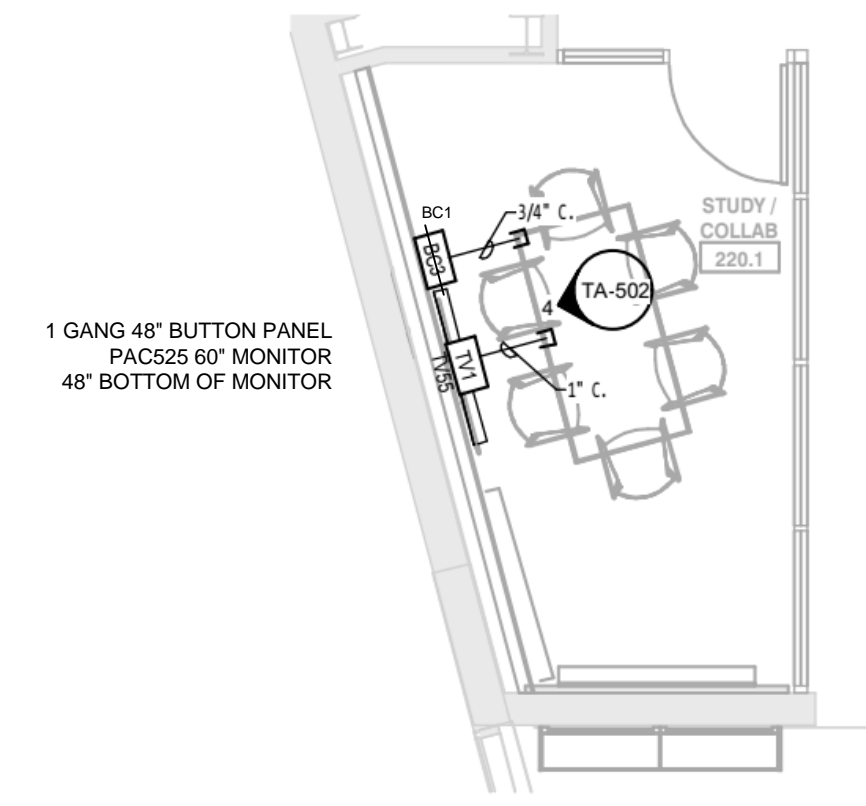
1 LEVEL 2 NORTH - CHILDREN'S SERVICES (210), AND PROGRAM ROOM (206) - AV ROUGH-IN
1/8" = 1'-0"



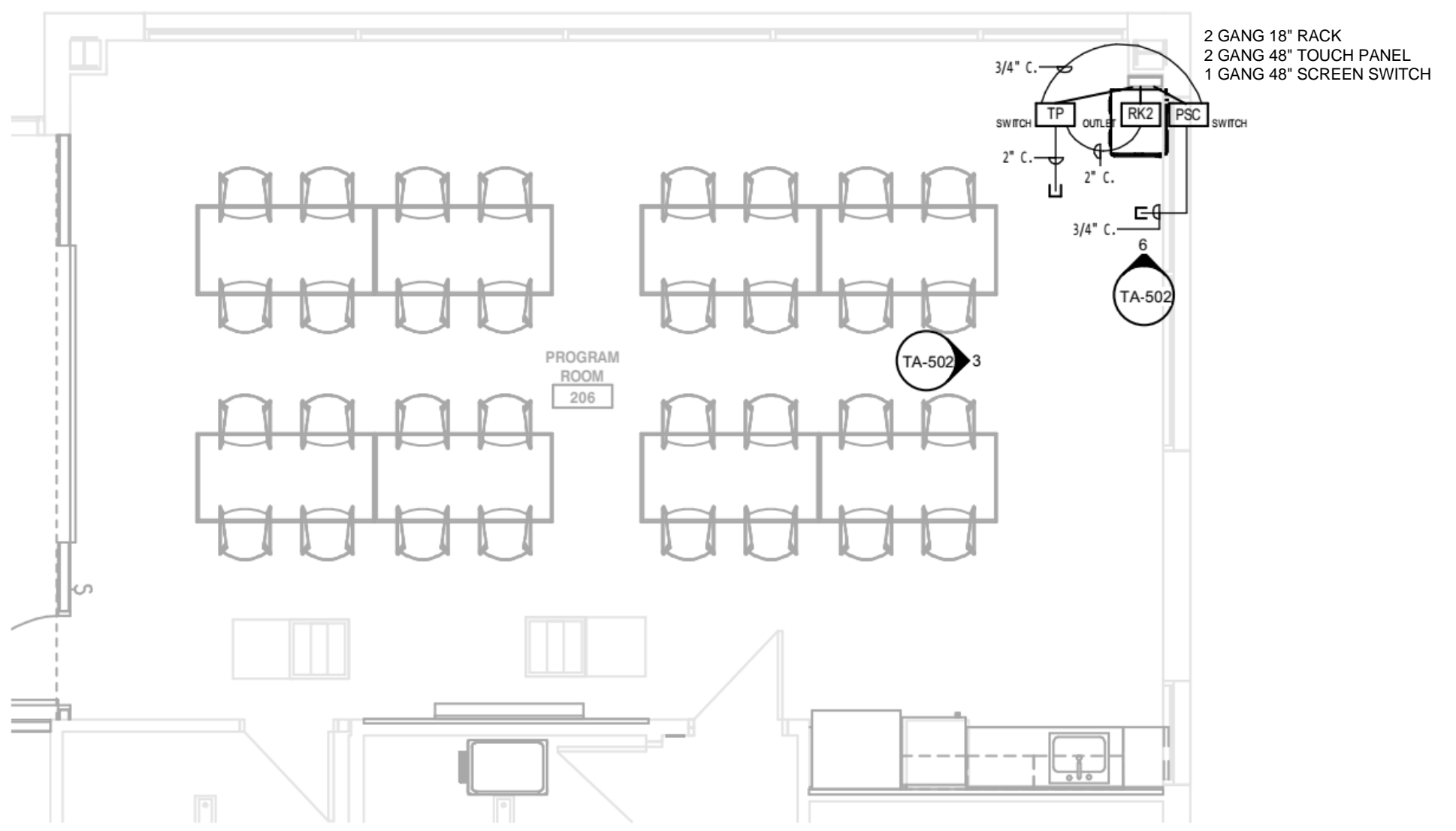
2 LEVEL 2 NORTH - STUDY (211, 212, 213) - AV ROUGH-IN
1/4" = 1'-0"



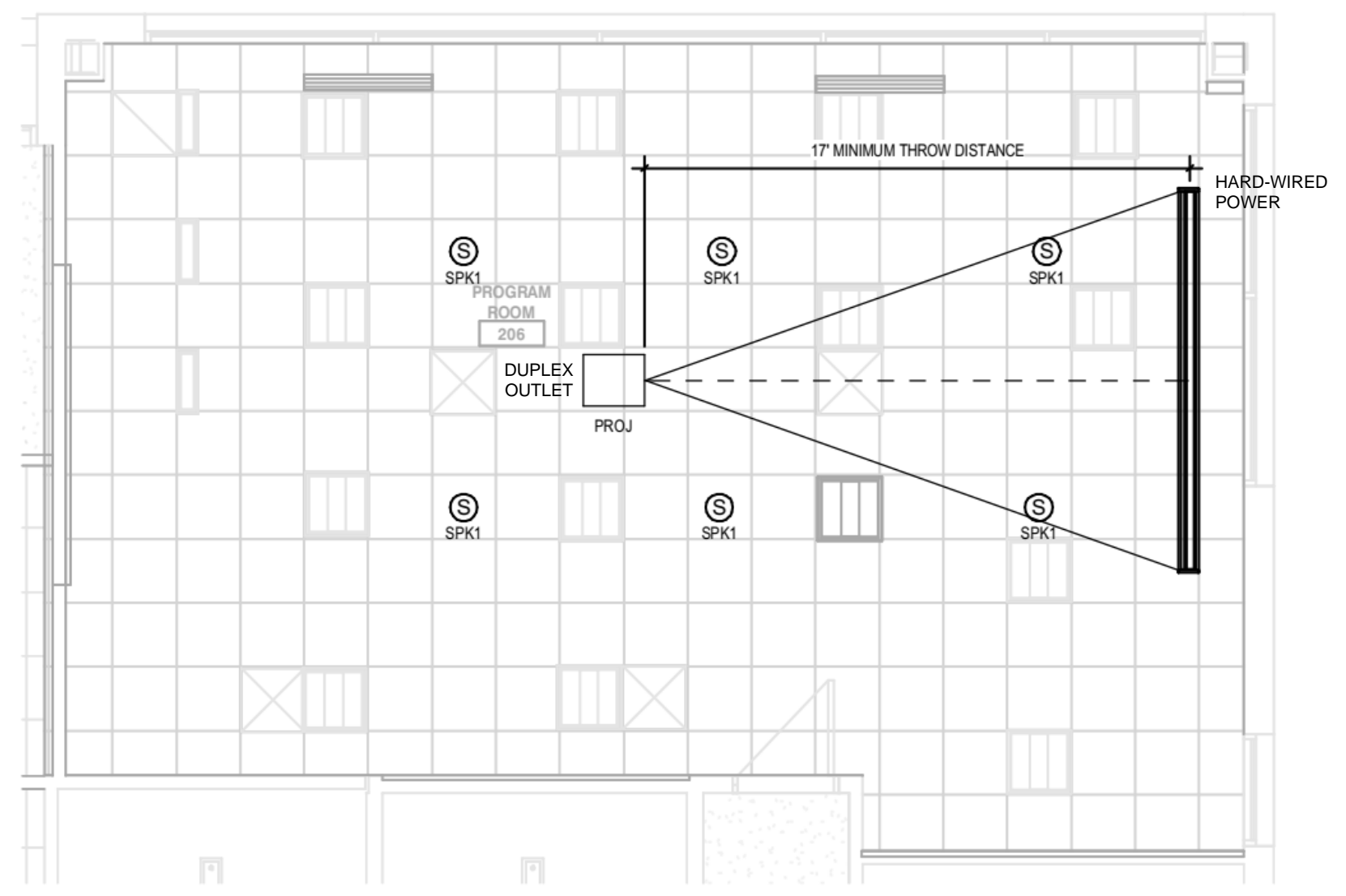
3 LEVEL 2 NORTH - TEEN AREA (202) - AV ROUGH-IN
1/4" = 1'-0"



4 LEVEL 2 SOUTH - STUDY/COLLAB (220.1) - AV ROUGH-IN
1/4" = 1'-0"



5 LEVEL 2 NORTH - PROGRAM ROOM (208) - AV ROUGH-IN
1/4" = 1'-0"



6 LEVEL 2 NORTH RCP - PROGRAM ROOM (208) - AV ROUGH-IN
1/4" = 1'-0"

Drawing Revisions:

Rev	Date	Notes	By
1	10/07/2021	Review	BK

Drawing Name:
Rawlings Renovation

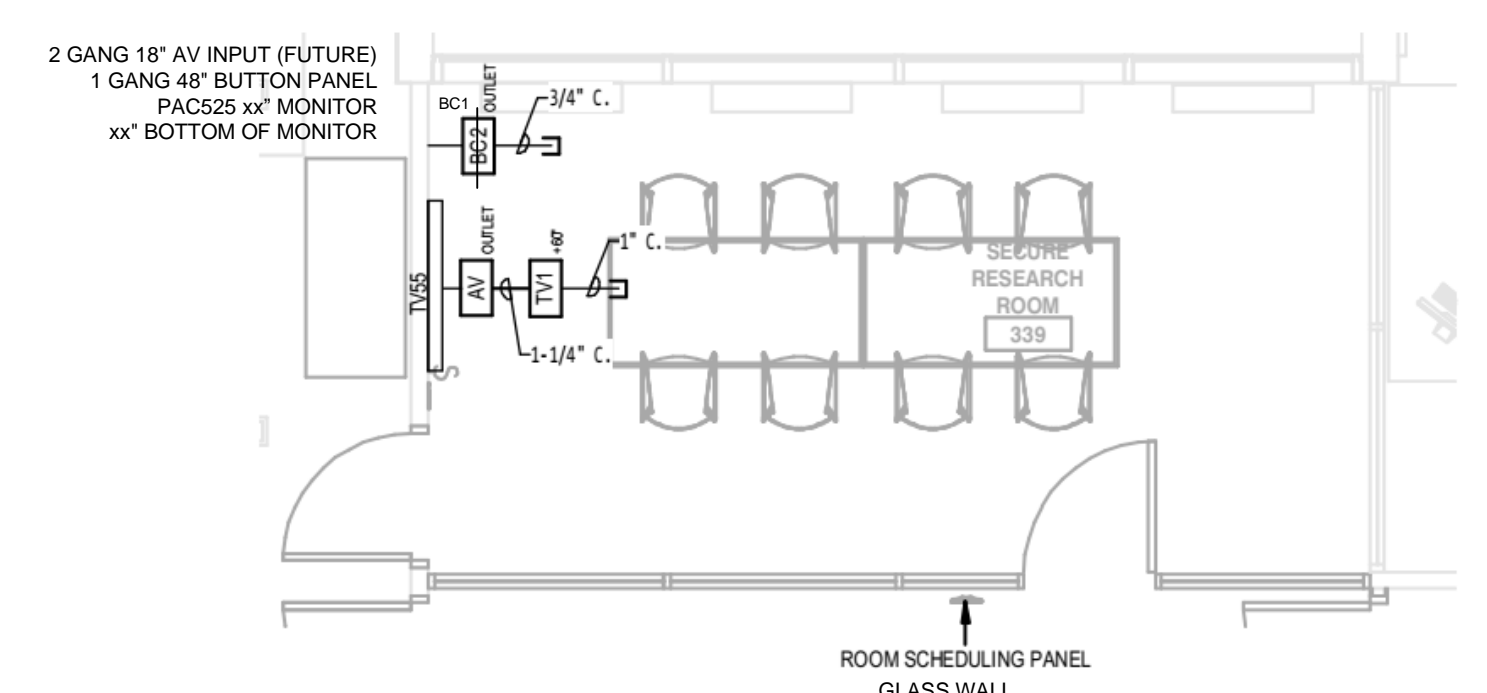
SO#

PR# 2780

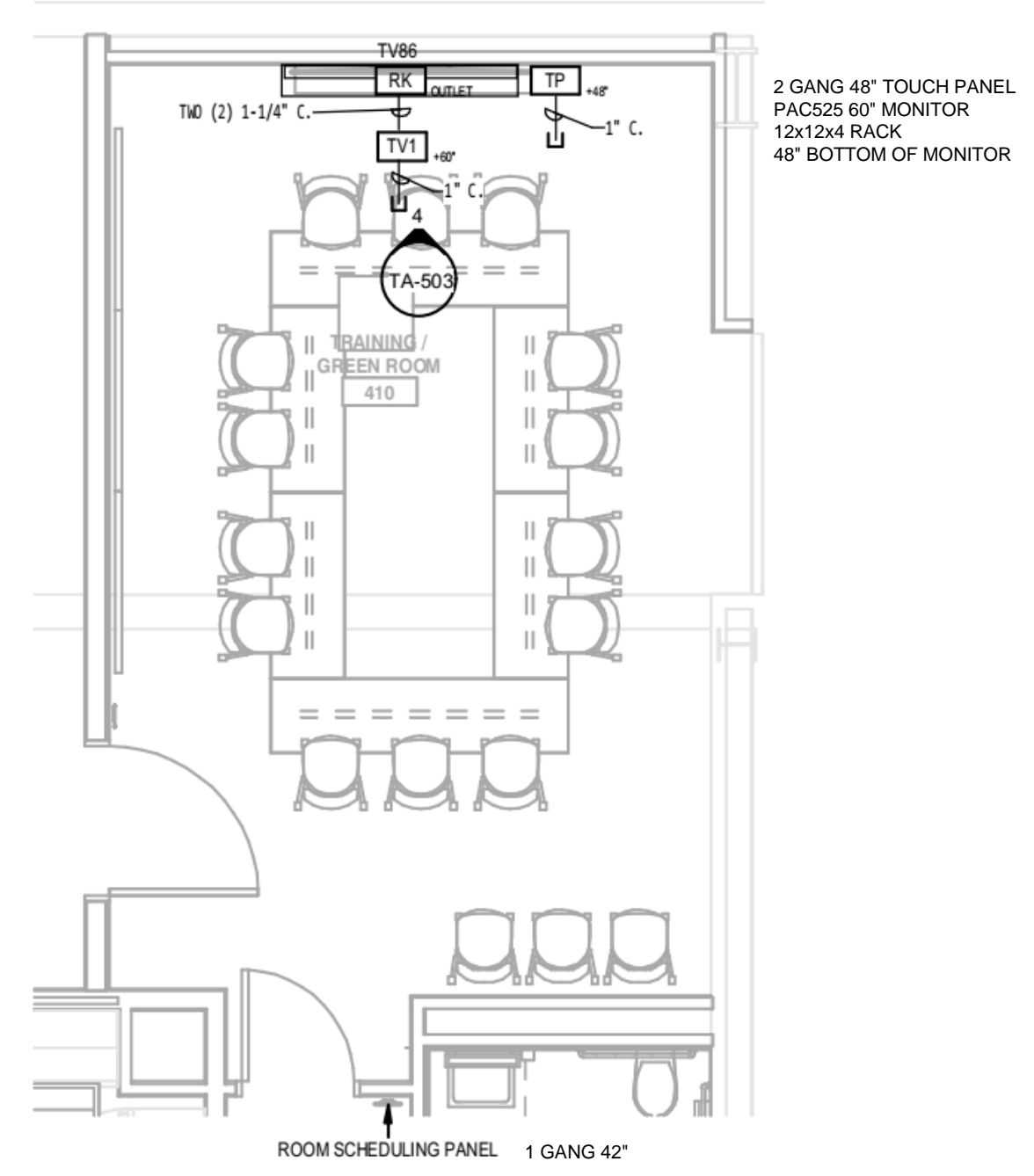
Drawing No:
AV 1.12



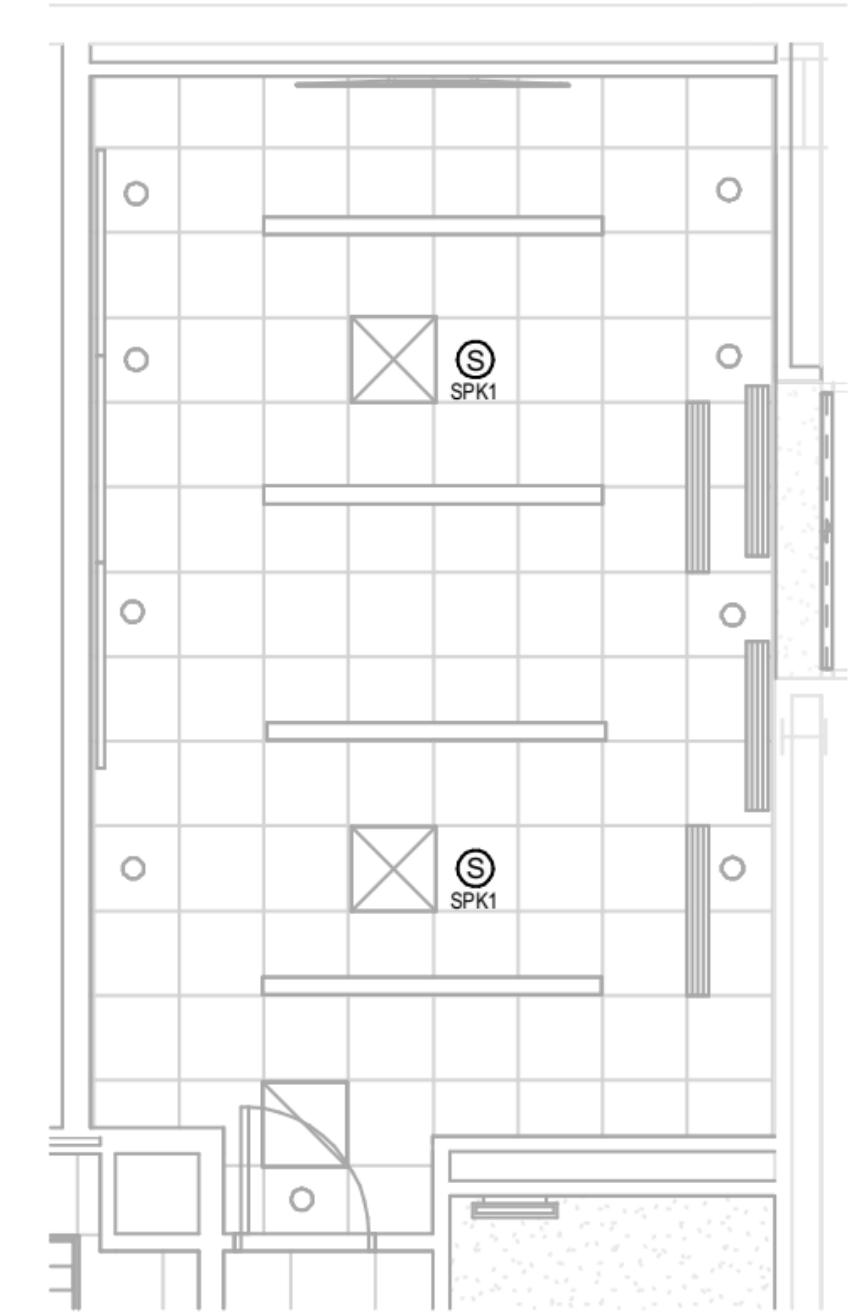
1 LEVEL 4 NORTH - EVENT SPACE (408) - AV ROUGH-IN
1/4" = 1'-0"



2 LEVEL 3 NORTH - SECURE RESEARCH ROOM (339) - AV ROUGH-IN
1/4" = 1'-0"



3 LEVEL 4 NORTH - CONFERENCE/GREEN ROOM (410) - AV ROUGH-IN
1/4" = 1'-0"

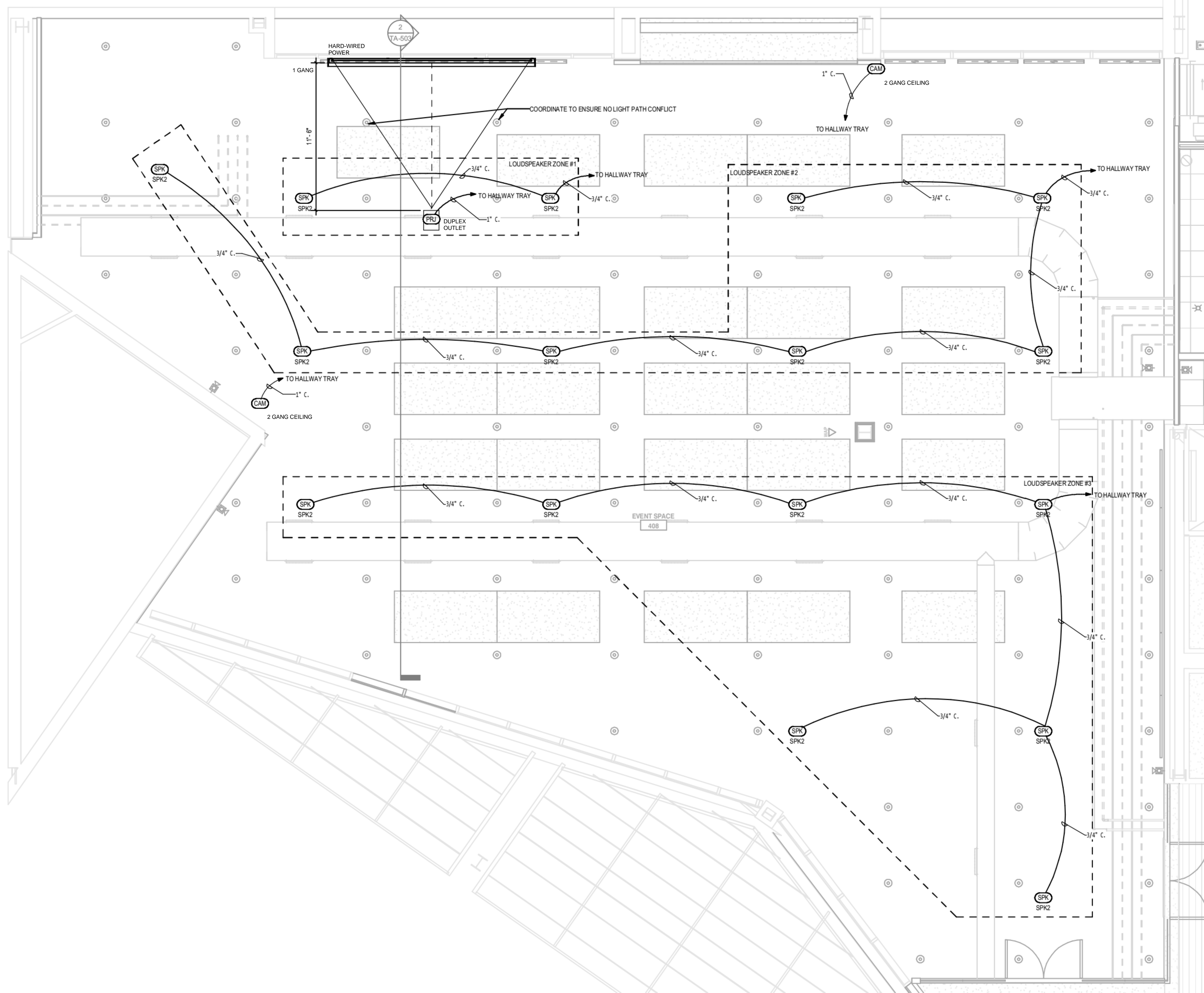


4 LEVEL 4 NORTH RCP - CONFERENCE/GREEN ROOM (410) - AV ROUGH-IN
1/4" = 1'-0"

Drawing Revisions:

Rev	Date	Notes	By
1	10/07/2021	Review	BK

Drawing Name:
Rawlings Renovation
SO#
PR# 2780
Drawing No:
AV 1.13



1 LEVEL 4 NORTH RCP - EVENT SPACE (408) - AV ROUGH-IN
1/4" = 1'-0"

Rev	Date	Notes	By
1	10/07/2021	Review	BK

Drawing Name:
 Rawlins Renovation
 SO#
 PR# 2780
 Drawing No:
AV 1.14

Drawing Revisions:

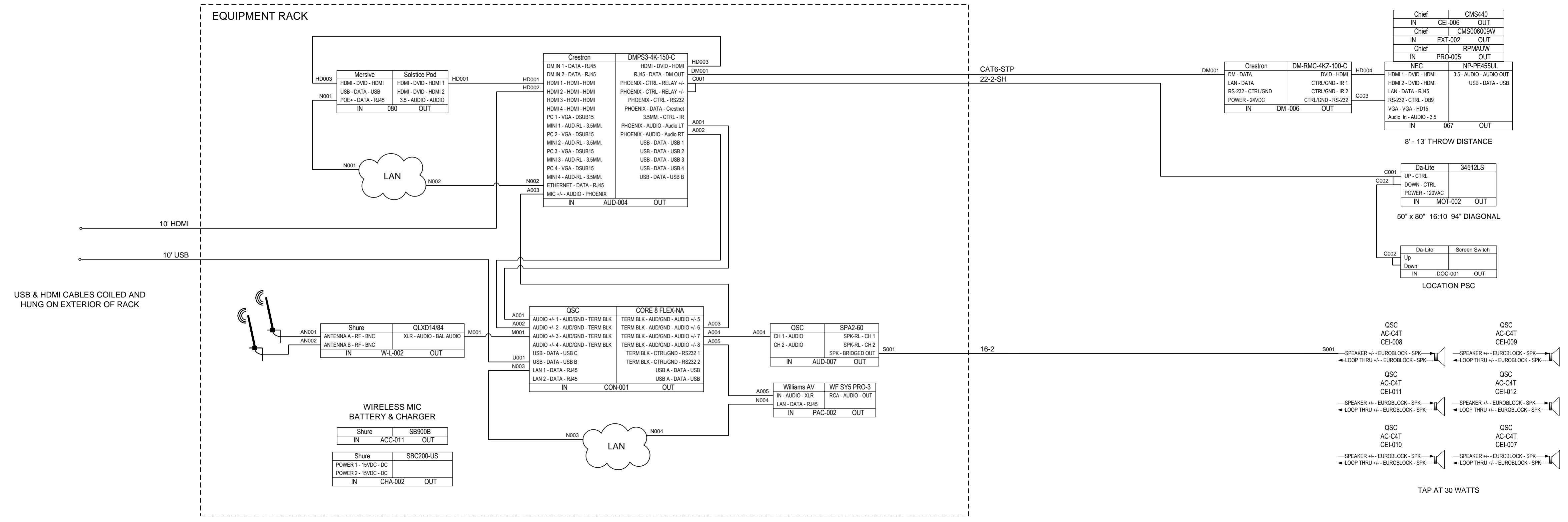
Rev	Date	Notes	By
1	10/07/2021	Review	BK

Drawing Name:
Rawlings Renovation

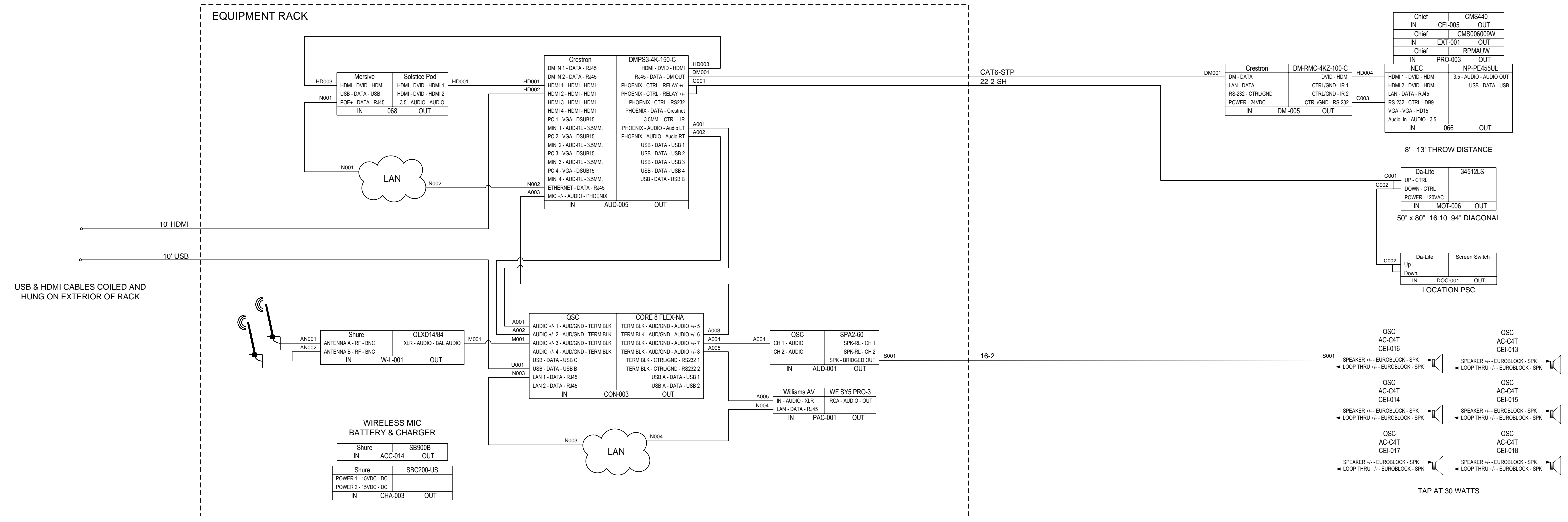
SO#

PR# 2780

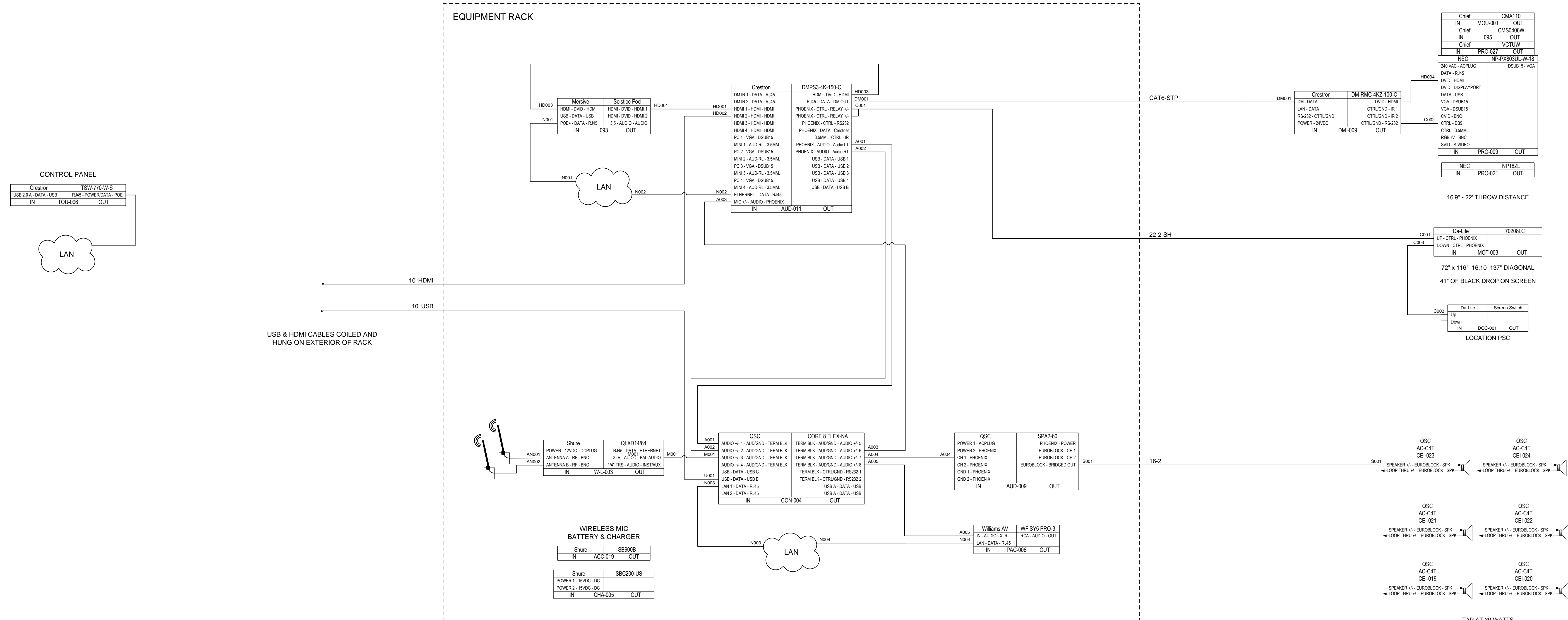
Drawing No:
AV 2.00



MEETING ROOM 107 MEETING ROOM 107B
MEETING ROOM 107B MEETING ROOM 107



MEETING ROOMS 107 & 107B



Drawing Revisions:

Rev	Date	Notes	By
1	10/07/2021	Review	BK

Drawing Name:
Rawlings Renovation

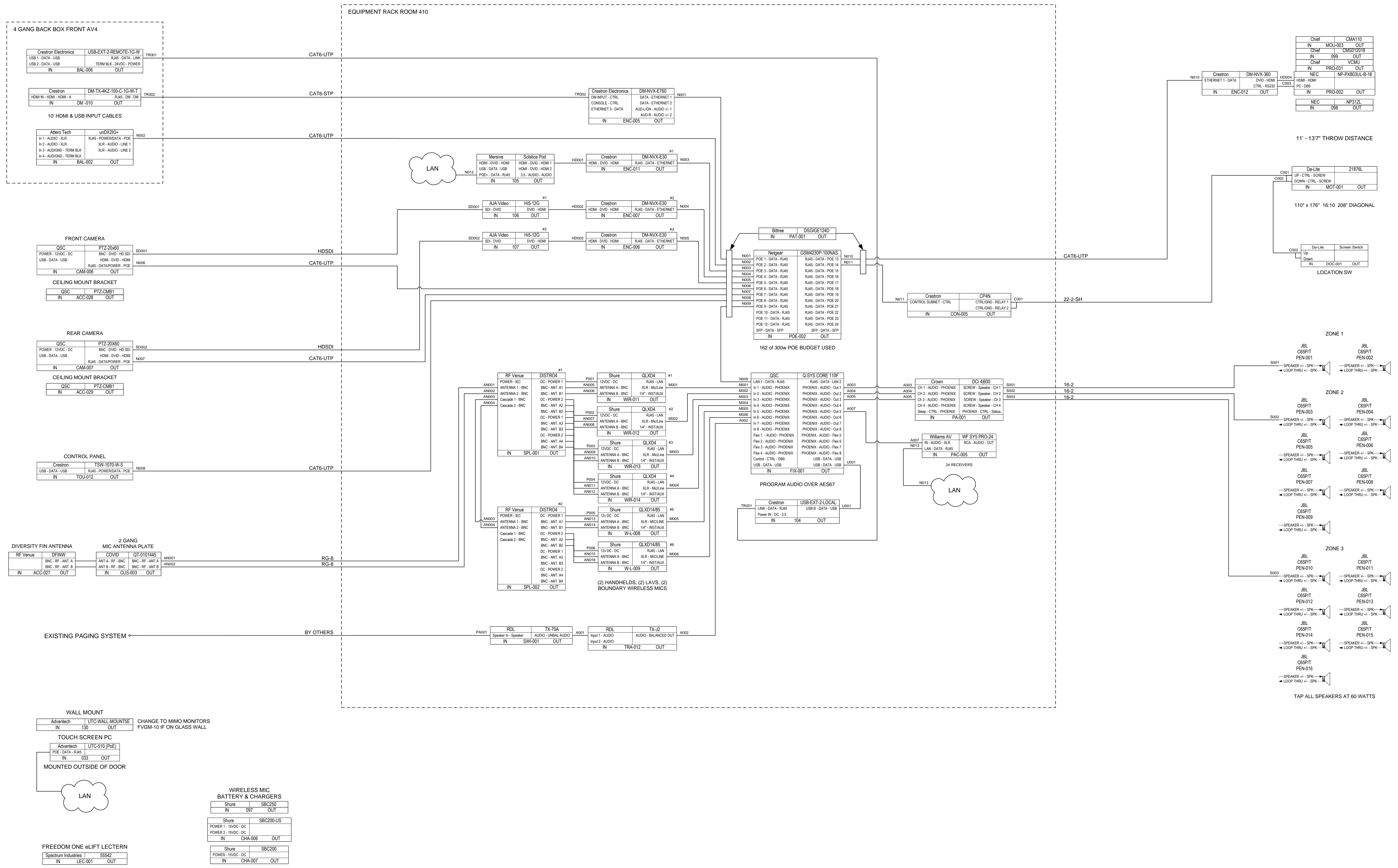
SO#

PR# 2780

Drawing No:
AV 2.03

CCS Presentation Systems
700 West Mississippi Ave A6
Denver, CO 80228
T: 303-694-3923 F: 303-592-2126
www.CCSProjects.com

Rawlings Library
2021 Renovation
100 East Abriendo Ave.
Pueblo, CO 81004



Chief	CMA110	
IN	MOL-003	OUT
Chief	CMS02018	
IN	099	OUT
Chief	VCR01	
IN	PRO-031	OUT
Chief	NEC	NP-FX803UL-B-18
IN	PC-089	OUT
Chief	NEC	NP31ZL
IN	098	OUT

11" - 13 7" THROW DISTANCE

Da-Lite	21876L	
UP-CTRL-SCREW		
DOWN-CTRL-SCREW		
IN	MOF-001	OUT

110" x 176" 16:10 208" DIAGONAL

Da-Lite	Screen Switch	
Up		
Down		
IN	DOC-001	OUT

LOCATION SW

Crestron	CPAN	
CONTROL SUBNET-CTRL		
IN	CON-005	OUT

22-2-SH

Crestron	DC4800	
CH1-AUDIO-PHOENIX		
CH2-AUDIO-PHOENIX		
CH3-AUDIO-PHOENIX		
CH4-AUDIO-PHOENIX		
IN	PA-001	OUT

16-2

Williams AV	WF-SYS-PRO-24	
IN-AUDIO-XLR		
LAN-DATA-RJ45		
IN	PAC-005	OUT

24 RECEIVERS

Crestron	USB-EXT-2-LOCAL	
LINK-DATA-RJ45		
Power IN-DC-3.5		
IN	104	OUT

LAN

Crestron	DM-NVX-E30	#1
HDMI-DVD-HDMI		
RJ45-DATA-ETHERNET		
IN	ENC-011	OUT

Crestron	DM-NVX-E30	#2
HDMI-DVD-HDMI		
RJ45-DATA-ETHERNET		
IN	ENC-007	OUT

Crestron	DM-NVX-E30	#3
HDMI-DVD-HDMI		
RJ45-DATA-ETHERNET		
IN	ENC-008	OUT

Crestron	DM-NVX-E760	#1
DM-IN/OUT-CTRL		
DATA-ETHERNET1		
ETHERNET 3-DATA		
ETHERNET 2-AUDIO		
AUD-LIN-AUDIO +1		
AUD-R-AUDIO +2		
IN	ENC-005	OUT

Crestron	DM-NVX-E30	#1
HDMI-DVD-HDMI		
RJ45-DATA-ETHERNET		
IN	ENC-011	OUT

Crestron	DM-NVX-E30	#2
HDMI-DVD-HDMI		
RJ45-DATA-ETHERNET		
IN	ENC-007	OUT

Crestron	DM-NVX-E30	#3
HDMI-DVD-HDMI		
RJ45-DATA-ETHERNET		
IN	ENC-008	OUT

Crestron	DM-NVX-E760	#1
DM-IN/OUT-CTRL		
DATA-ETHERNET1		
ETHERNET 3-DATA		
ETHERNET 2-AUDIO		
AUD-LIN-AUDIO +1		
AUD-R-AUDIO +2		
IN	ENC-005	OUT

Crestron	DM-NVX-E30	#1
HDMI-DVD-HDMI		
RJ45-DATA-ETHERNET		
IN	ENC-011	OUT

Crestron	DM-NVX-E30	#2
HDMI-DVD-HDMI		
RJ45-DATA-ETHERNET		
IN	ENC-007	OUT

Crestron	DM-NVX-E30	#3
HDMI-DVD-HDMI		
RJ45-DATA-ETHERNET		
IN	ENC-008	OUT

Crestron	DM-NVX-E760	#1
DM-IN/OUT-CTRL		
DATA-ETHERNET1		
ETHERNET 3-DATA		
ETHERNET 2-AUDIO		
AUD-LIN-AUDIO +1		
AUD-R-AUDIO +2		
IN	ENC-005	OUT

Crestron	DM-NVX-E30	#1
HDMI-DVD-HDMI		
RJ45-DATA-ETHERNET		
IN	ENC-011	OUT

Crestron	DM-NVX-E30	#2
HDMI-DVD-HDMI		
RJ45-DATA-ETHERNET		
IN	ENC-007	OUT

Crestron	DM-NVX-E30	#3
HDMI-DVD-HDMI		
RJ45-DATA-ETHERNET		
IN	ENC-008	OUT

Crestron	DM-NVX-E760	#1
DM-IN/OUT-CTRL		
DATA-ETHERNET1		
ETHERNET 3-DATA		
ETHERNET 2-AUDIO		
AUD-LIN-AUDIO +1		
AUD-R-AUDIO +2		
IN	ENC-005	OUT

Crestron	DM-NVX-E30	#1
HDMI-DVD-HDMI		
RJ45-DATA-ETHERNET		
IN	ENC-011	OUT

Crestron	DM-NVX-E30	#2
HDMI-DVD-HDMI		
RJ45-DATA-ETHERNET		
IN	ENC-007	OUT

Crestron	DM-NVX-E30	#3
HDMI-DVD-HDMI		
RJ45-DATA-ETHERNET		
IN	ENC-008	OUT

Crestron	DM-NVX-E760	#1
DM-IN/OUT-CTRL		
DATA-ETHERNET1		
ETHERNET 3-DATA		
ETHERNET 2-AUDIO		
AUD-LIN-AUDIO +1		
AUD-R-AUDIO +2		
IN	ENC-005	OUT

Crestron	DM-NVX-E30	#1
HDMI-DVD-HDMI		
RJ45-DATA-ETHERNET		
IN	ENC-011	OUT

Crestron	DM-NVX-E30	#2
HDMI-DVD-HDMI		
RJ45-DATA-ETHERNET		
IN	ENC-007	OUT

Crestron	DM-NVX-E30	#3
HDMI-DVD-HDMI		
RJ45-DATA-ETHERNET		
IN	ENC-008	OUT

Crestron	DM-NVX-E760	#1
DM-IN/OUT-CTRL		
DATA-ETHERNET1		
ETHERNET 3-DATA		
ETHERNET 2-AUDIO		
AUD-LIN-AUDIO +1		
AUD-R-AUDIO +2		
IN	ENC-005	OUT

Crestron	DM-NVX-E30	#1
HDMI-DVD-HDMI		
RJ45-DATA-ETHERNET		
IN	ENC-011	OUT

Crestron	DM-NVX-E30	#2
HDMI-DVD-HDMI		
RJ45-DATA-ETHERNET		
IN	ENC-007	OUT

Crestron	DM-NVX-E30	#3
HDMI-DVD-HDMI		
RJ45-DATA-ETHERNET		
IN	ENC-008	OUT

Crestron	DM-NVX-E760	#1
DM-IN/OUT-CTRL		
DATA-ETHERNET1		
ETHERNET 3-DATA		
ETHERNET 2-AUDIO		
AUD-LIN-AUDIO +1		
AUD-R-AUDIO +2		
IN	ENC-005	OUT

Crestron	DM-NVX-E30	#1
HDMI-DVD-HDMI		
RJ45-DATA-ETHERNET		
IN	ENC-011	OUT

Crestron	DM-NVX-E30	#2
HDMI-DVD-HDMI		
RJ45-DATA-ETHERNET		
IN	ENC-007	OUT

Crestron	DM-NVX-E30	#3
HDMI-DVD-HDMI		
RJ45-DATA-ETHERNET		
IN	ENC-008	OUT

Crestron	DM-NVX-E760	#1
DM-IN/OUT-CTRL		
DATA-ETHERNET1		
ETHERNET 3-DATA		
ETHERNET 2-AUDIO		
AUD-LIN-AUDIO +1		
AUD-R-AUDIO +2		
IN	ENC-005	OUT

Crestron	DM-NVX-E30	#1
HDMI-DVD-HDMI		
RJ45-DATA-ETHERNET		
IN	ENC-011	OUT

Crestron	DM-NVX-E30	#2
HDMI-DVD-HDMI		
RJ45-DATA-ETHERNET		
IN	ENC-007	OUT

Crestron	DM-NVX-E30	#3
HDMI-DVD-HDMI		
RJ45-DATA-ETHERNET		
IN	ENC-008	OUT

Crestron	DM-NVX-E760	#1
DM-IN/OUT-CTRL		
DATA-ETHERNET1		
ETHERNET 3-DATA		
ETHERNET 2-AUDIO		
AUD-LIN-AUDIO +1		
AUD-R-AUDIO +2		
IN	ENC-005	OUT

Crestron	DM-NVX-E30	#1
HDMI-DVD-HDMI		
RJ45-DATA-ETHERNET		
IN	ENC-011	OUT

Crestron	DM-NVX-E30	#2
HDMI-DVD-HDMI		
RJ45-DATA-ETHERNET		
IN	ENC-007	OUT

Crestron	DM-NVX-E30	#3
HDMI-DVD-HDMI		
RJ45-DATA-ETHERNET		
IN	ENC-008	OUT

Crestron	DM-NVX-E760	#1
DM-IN/OUT-CTRL		
DATA-ETHERNET1		
ETHERNET 3-DATA		
ETHERNET 2-AUDIO		
AUD-LIN-AUDIO +1		
AUD-R-AUDIO +2		
IN	ENC-005	OUT

Crestron	DM-NVX-E30	#1
HDMI-DVD-HDMI		
RJ45-DATA-ETHERNET		
IN	ENC-011	OUT

Crestron	DM-NVX-E30	#2
HDMI-DVD-HDMI		
RJ45-DATA-ETHERNET		
IN	ENC-007	OUT

Crestron	DM-NVX-E30	#3
HDMI-DVD-HDMI		
RJ45-DATA-ETHERNET		
IN	ENC-008	OUT

Crestron	DM-NVX-E760	#1
DM-IN/OUT-CTRL		
DATA-ETHERNET1		
ETHERNET 3-DATA		
ETHERNET 2-AUDIO		
AUD-LIN-AUDIO +1		
AUD-R-AUDIO +2		
IN	ENC-005	OUT

Crestron	DM-NVX-E30	#1
HDMI-DVD-HDMI		
RJ45-DATA-ETHERNET		
IN	ENC-011	OUT

Crestron	DM-NVX-E30	#2
HDMI-DVD-HDMI		
RJ45-DATA-ETHERNET		
IN	ENC-007	OUT

Crestron	DM-NVX-E30	#3
HDMI-DVD-HDMI		
RJ45-DATA-ETHERNET		
IN	ENC-008	OUT

Crestron	DM-NVX-E760	#1
DM-IN/OUT-CTRL		
DATA-ETHERNET1		
ETHERNET 3-DATA		
ETHERNET 2-AUDIO		
AUD-LIN-AUDIO +1		
AUD-R-AUDIO +2		
IN	ENC-005	OUT

Crestron	DM-NVX-E30	#1
HDMI-DVD-HDMI		
RJ45-DATA-ETHERNET		
IN	ENC-011	OUT

Crestron	DM-NVX-E30	#2
HDMI-DVD-HDMI		
RJ45-DATA-ETHERNET		
IN	ENC-007	OUT

Crestron	DM-NVX-E30	#3
HDMI-DVD-HDMI		
RJ45-DATA-ETHERNET		
IN	ENC-008	OUT

Crestron	DM-NVX-E760	#1
DM-IN/OUT-CTRL		
DATA-ETHERNET1		
ETHERNET 3-DATA		
ETHERNET 2-AUDIO		
AUD-LIN-AUDIO +1		
AUD-R-AUDIO +2		
IN	ENC-005	OUT

Crestron	DM-NVX-E30	#1
HDMI-DVD-HDMI		
RJ45-DATA-ETHERNET		
IN	ENC-011	OUT

Crestron	DM-NVX-E30	#2
HDMI-DVD-HDMI		
RJ45-DATA-ETHERNET		
IN	ENC-007	OUT

Crestron	DM-NVX-E30	#3
HDMI-DVD-HDMI		
RJ45-DATA-ETHERNET		
IN	ENC-008	OUT

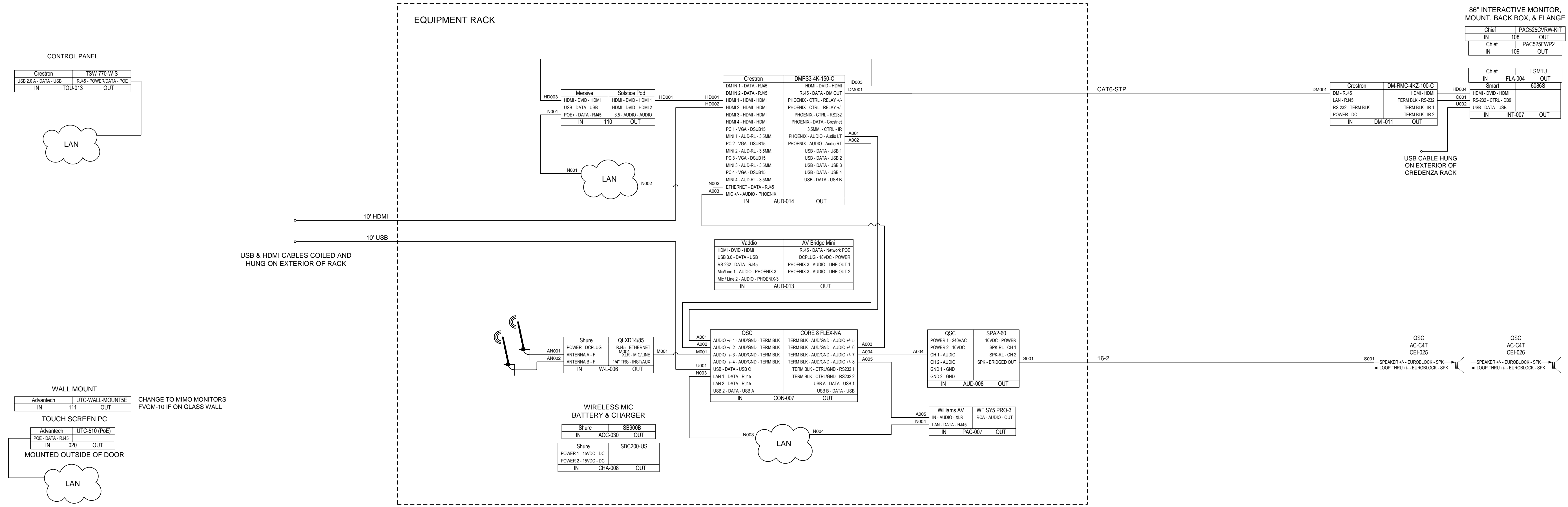
Crestron	DM-NVX-E760	#1
DM-IN/OUT-CTRL		
DATA-ETHERNET1		
ETHERNET 3-DATA		
ETHERNET 2-AUDIO		
AUD-LIN-AUDIO +1		
AUD-R-AUDIO +2		
IN	ENC-005	OUT

Crestron	DM-NVX-E30	#1
HDMI-DVD-HDMI		
RJ45-DATA-ETHERNET		
IN	ENC-011	OUT

Crestron	DM-NVX-E30	#2
HDMI-DVD-HDMI		
RJ45-DATA-ETHERNET		
IN	ENC-007	OUT

Crestron	DM-NVX-E30	#3
HDMI-DVD-HDMI		
RJ45-DATA-ETHERNET		
IN	ENC-008	OUT

Crestron	DM-NVX-E760	#1
DM-IN/OUT-CTRL		
DATA-ETHERNET1		
ETHERNET 3-DATA		
ETHERNET 2-AUDIO		
AUD-LIN-AUDIO +1		
AUD-R-AUDIO +2		
IN	ENC	



Drawing Revisions:

Rev	Date	Notes	By
1	10/07/2021	Review	BK

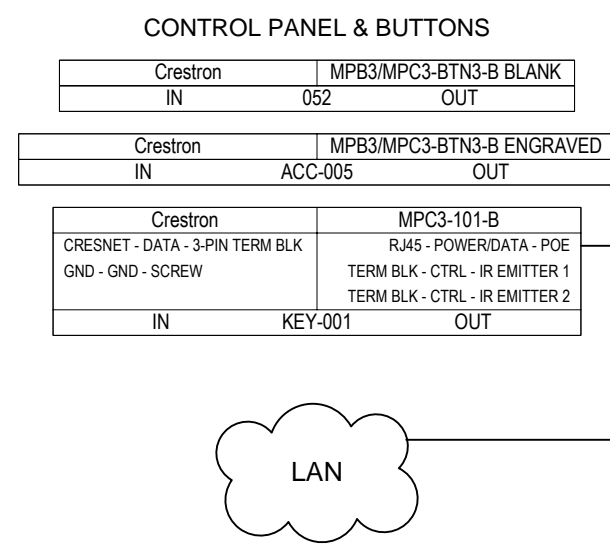
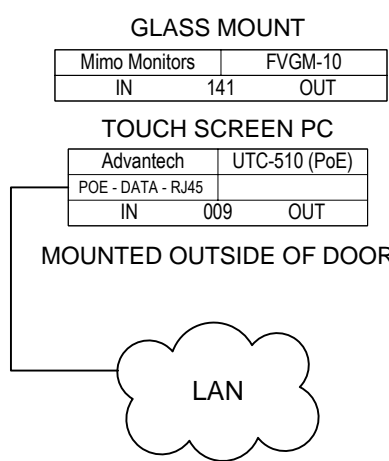
Drawing Name:
Rawlins Renovation

SO#

PR# 2780

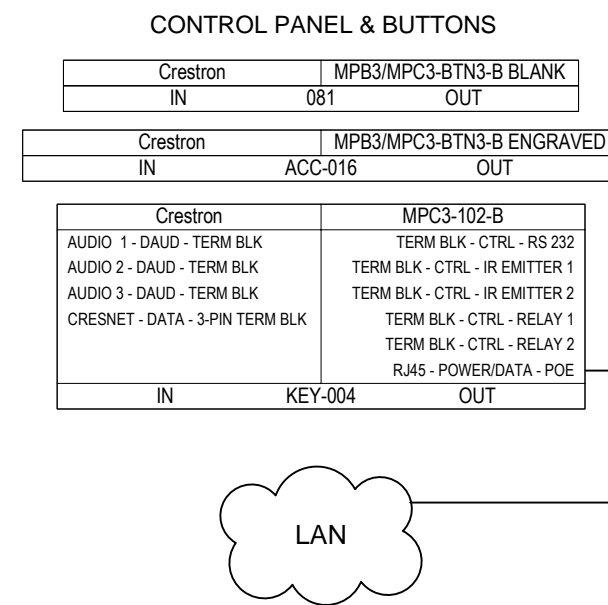
Drawing No:
AV 2.05

STUDY 211

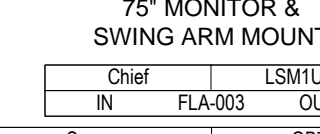
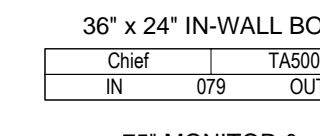
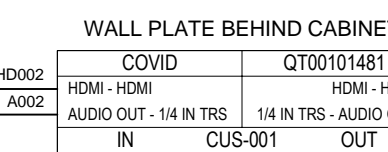
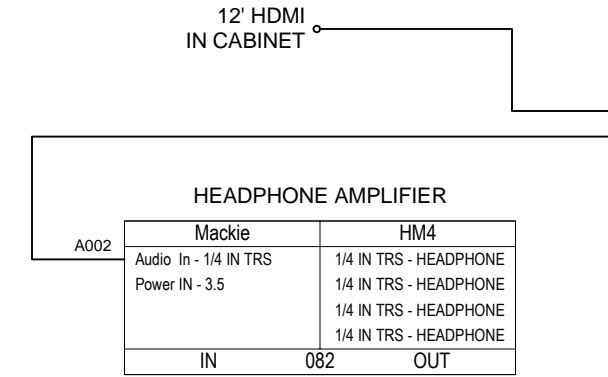


12" HDMI CABLE HUNG ON WALL NEXT TO DISPLAY

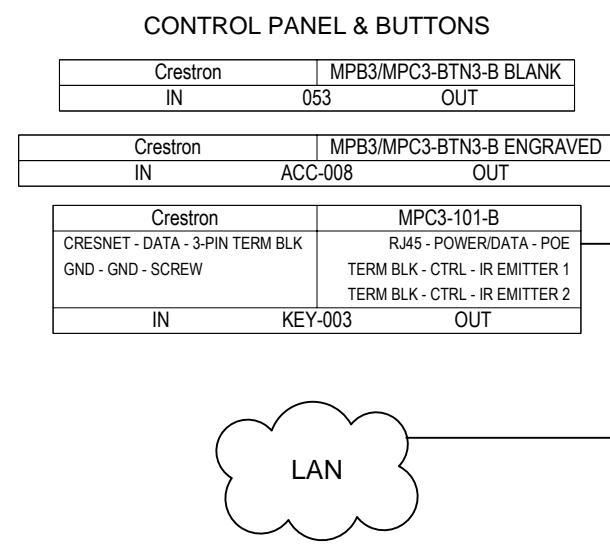
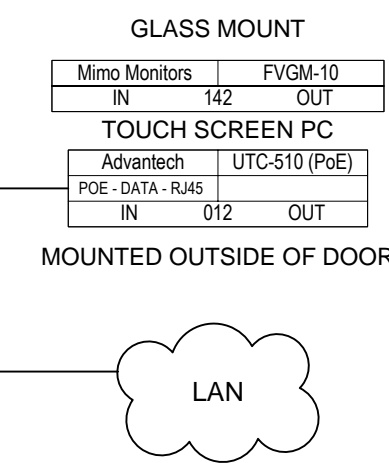
GAMING CORNER 202



OFF FURNITURE BELOW MONITOR

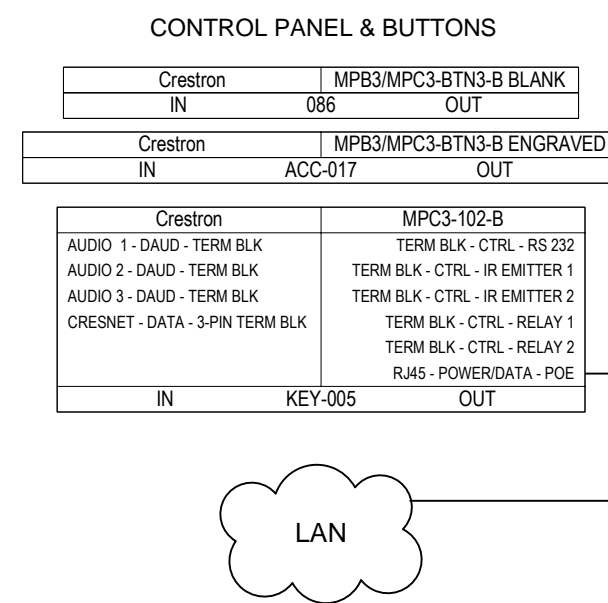


STUDY 212

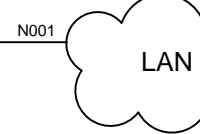
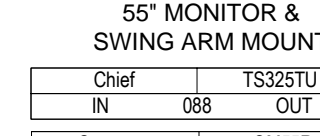
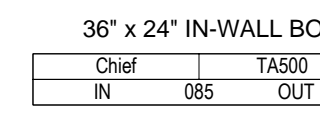
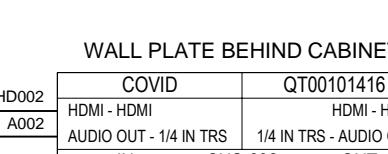
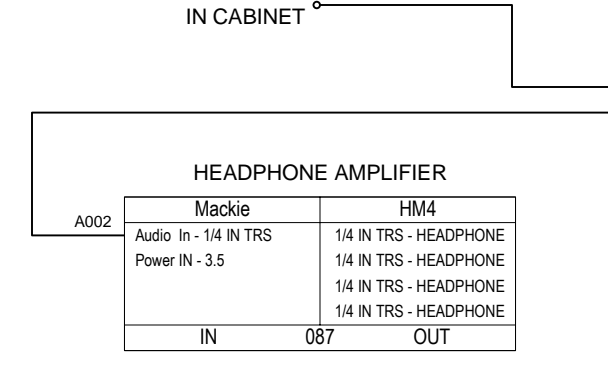


12" HDMI CABLE HUNG ON WALL NEXT TO DISPLAY

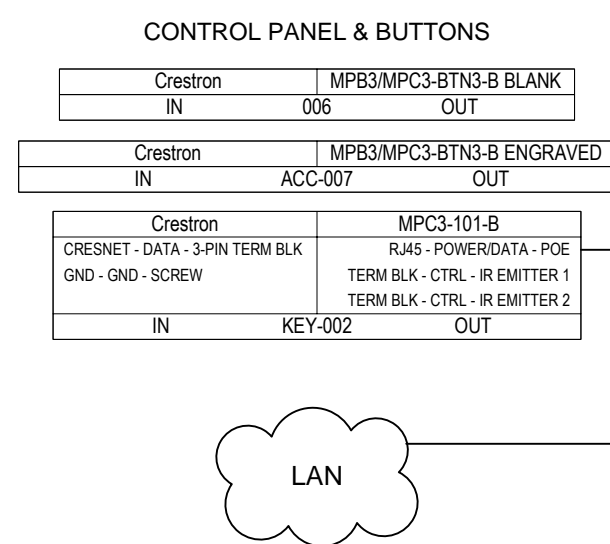
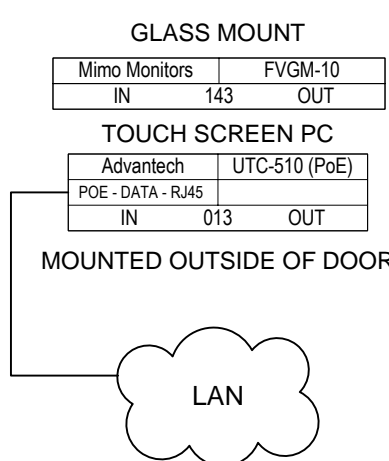
CHILDREN'S TWEEN GAMING 210



OFF FURNITURE BELOW MONITOR

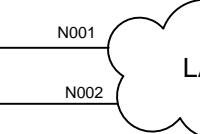
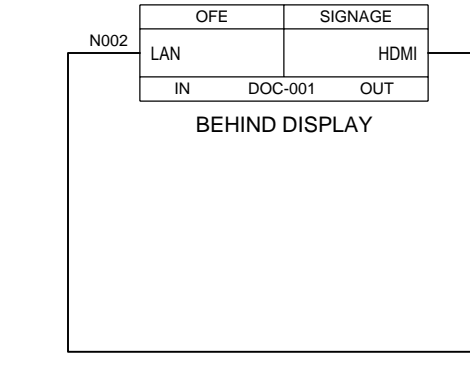
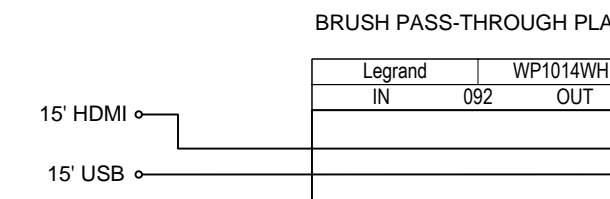
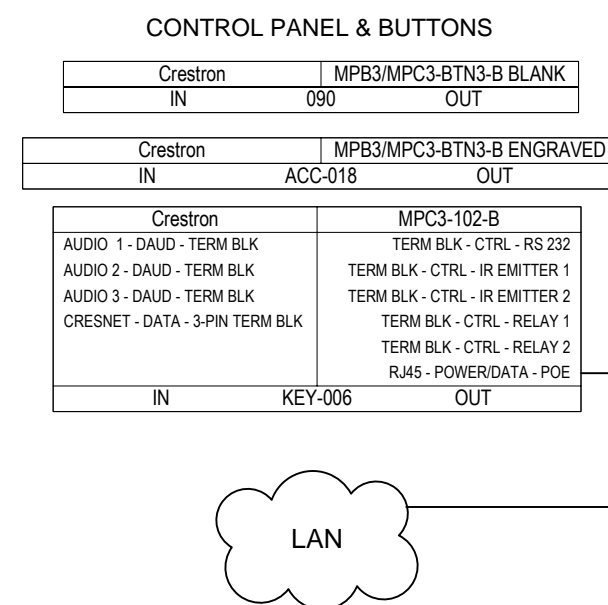


STUDY 213

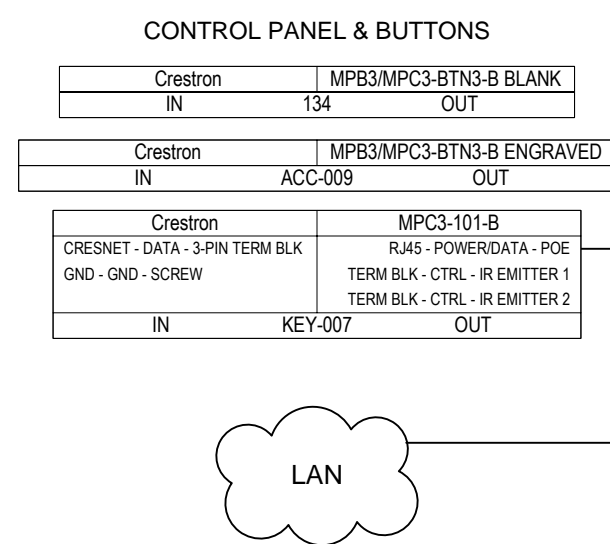


12" HDMI CABLE HUNG ON WALL NEXT TO DISPLAY

CHILDREN'S INTERACTIVE WALL 210



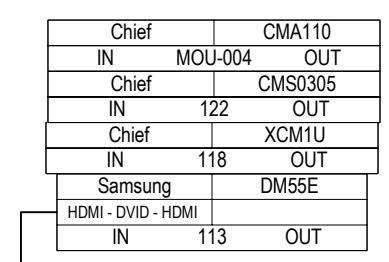
STUDY / COLLAB 220



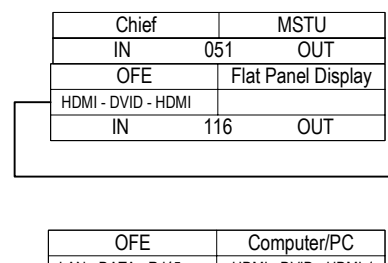
12" HDMI CABLE HUNG ON WALL NEXT TO DISPLAY

DIGITAL SIGNAGE

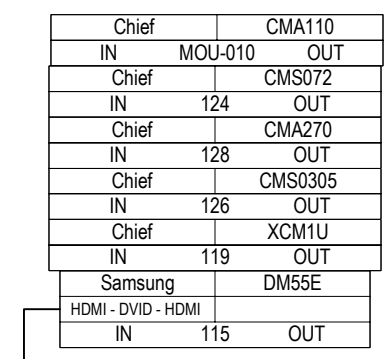
1ST FLOOR



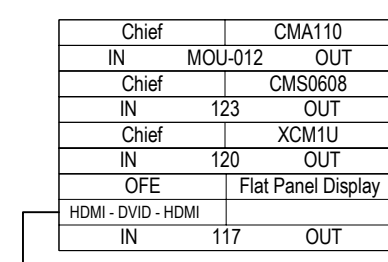
1ST FLOOR CAFE



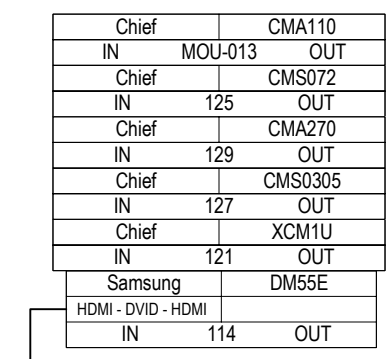
2ND FLOOR



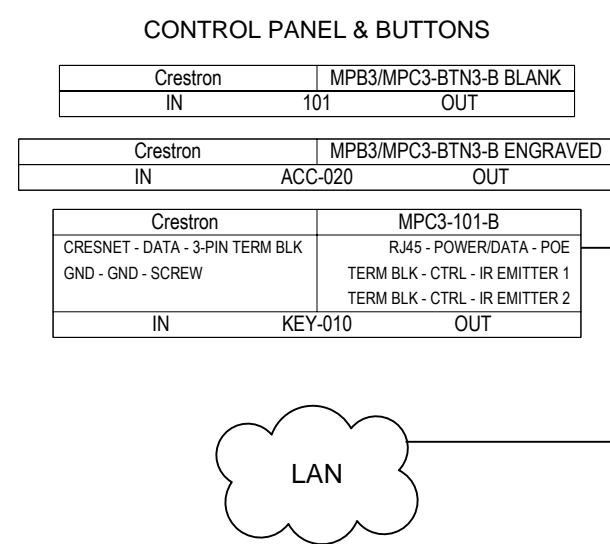
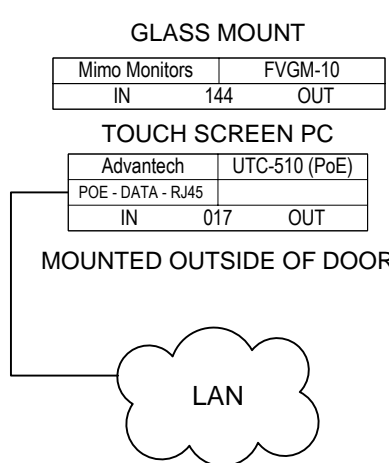
3RD FLOOR



4TH FLOOR



SECURE RESEARCH ROOM 339



12" HDMI CABLE HUNG ON WALL NEXT TO DISPLAY

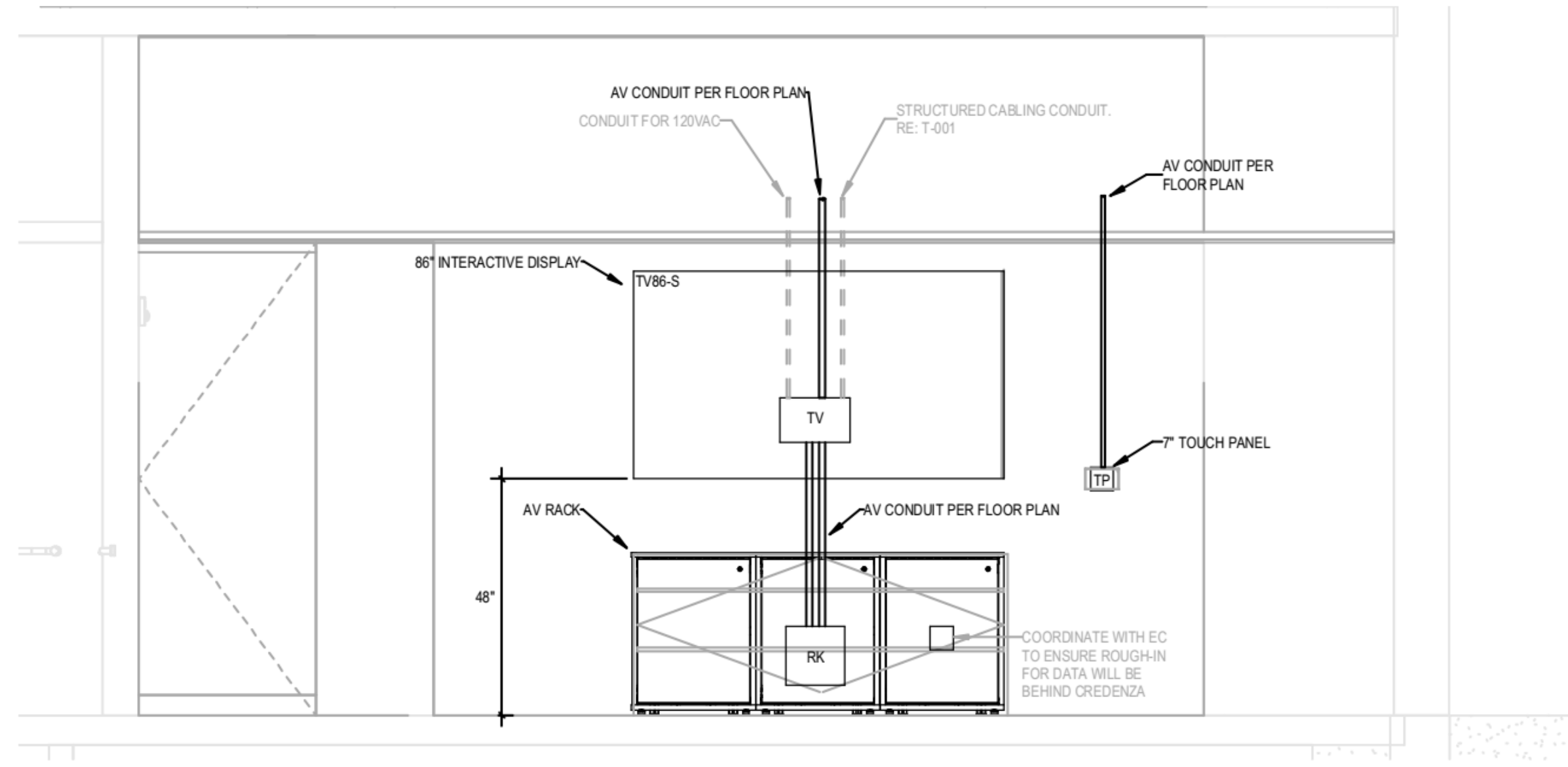


CCS Presentation Systems
700 West Mississippi Ave A6
Denver, CO 80228
T: 303-694-3923 F: 303-592-2126
Www.CCSProjects.com

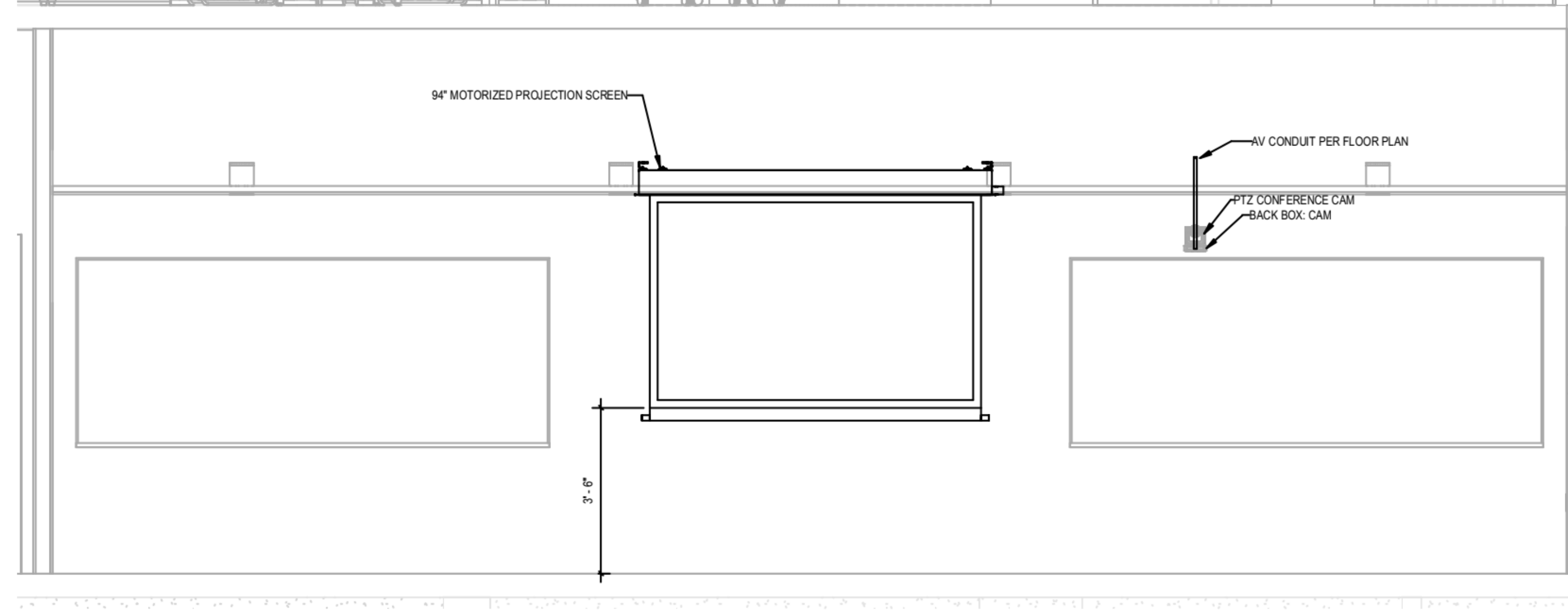
Rawlins Library
2021 Renovation
100 East Abriendo Ave.
Pueblo, CO 81004

Rev	Date	Notes	By
1	10/07/2021	Review	BK

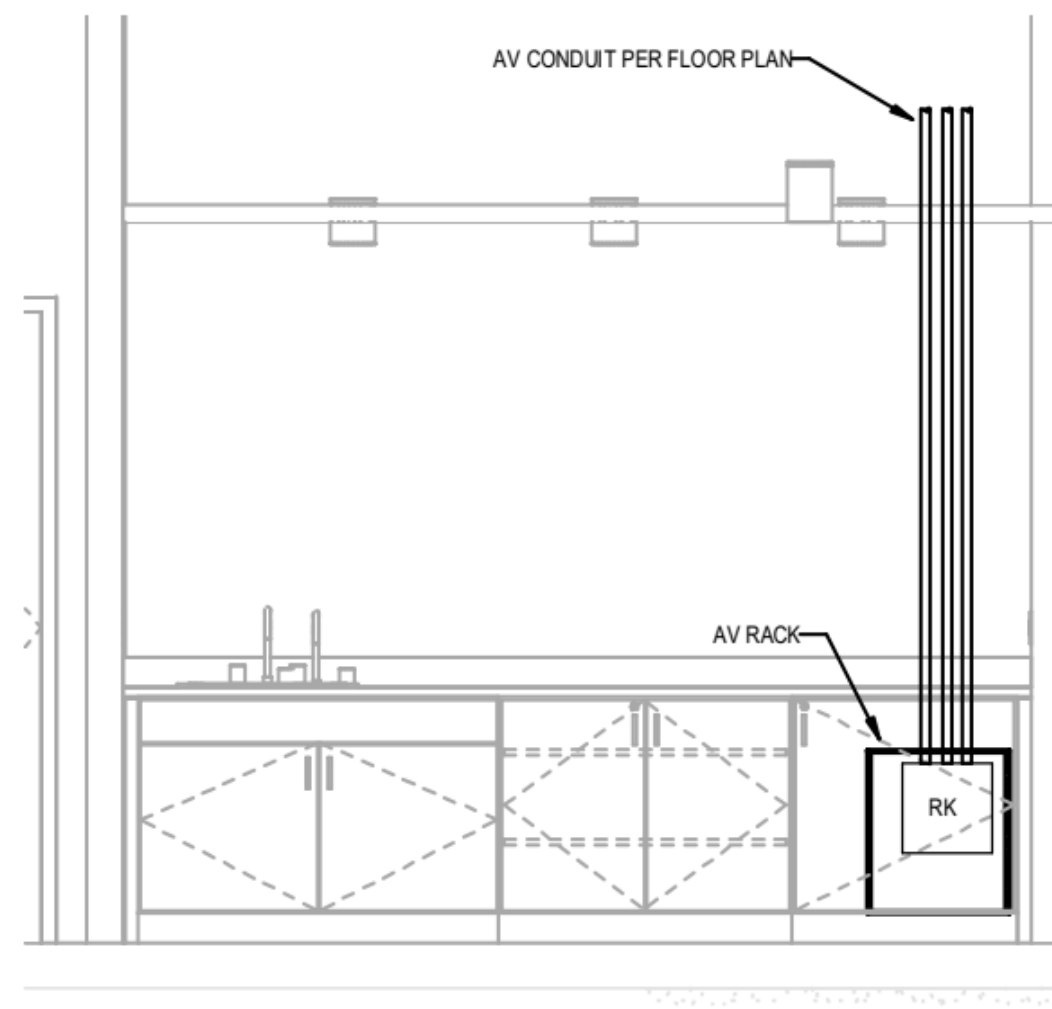
Drawing Name:
Rawlins Renovation
SO#
PR# 2780
Drawing No:
AV 2.06



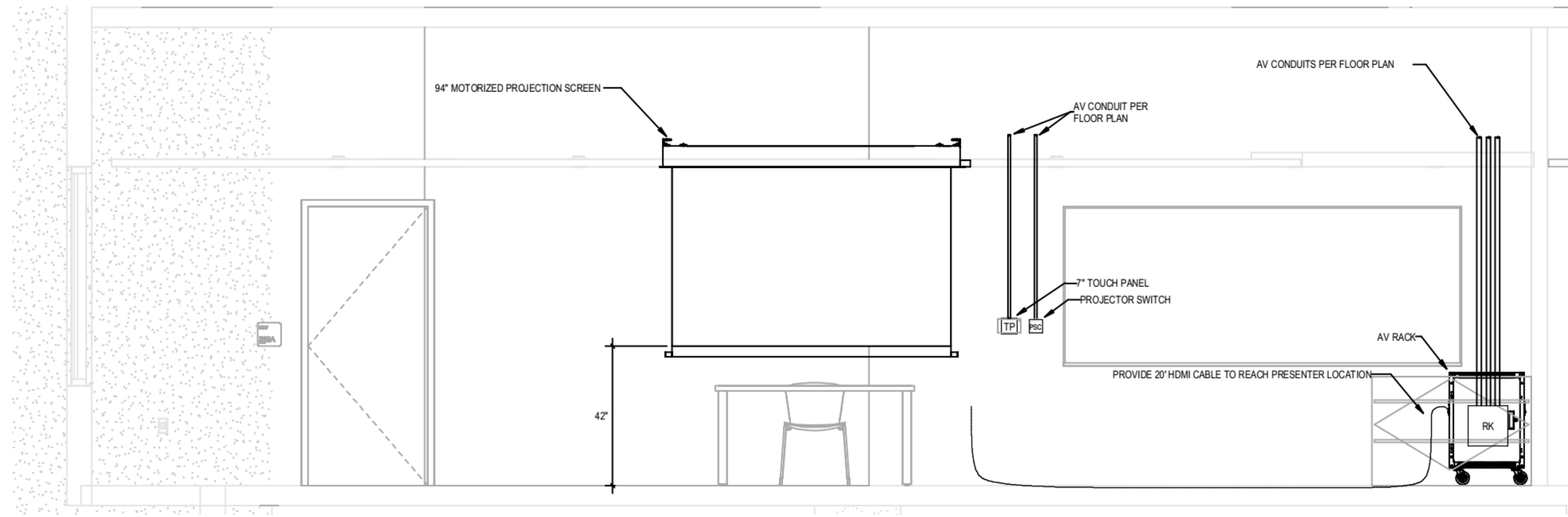
1 LEVEL 1 NORTH ELEVATION - TRAINING (113) - AV DETAILS
1/2" = 1'-0"



2 LEVEL 1 NORTH ELEVATION - TRAINING (121) - AV DETAILS
1/2" = 1'-0"



3 LEVEL 1 NORTH RACK ELEVATION - TRAINING (121) - AV DETAILS
1/2" = 1'-0"



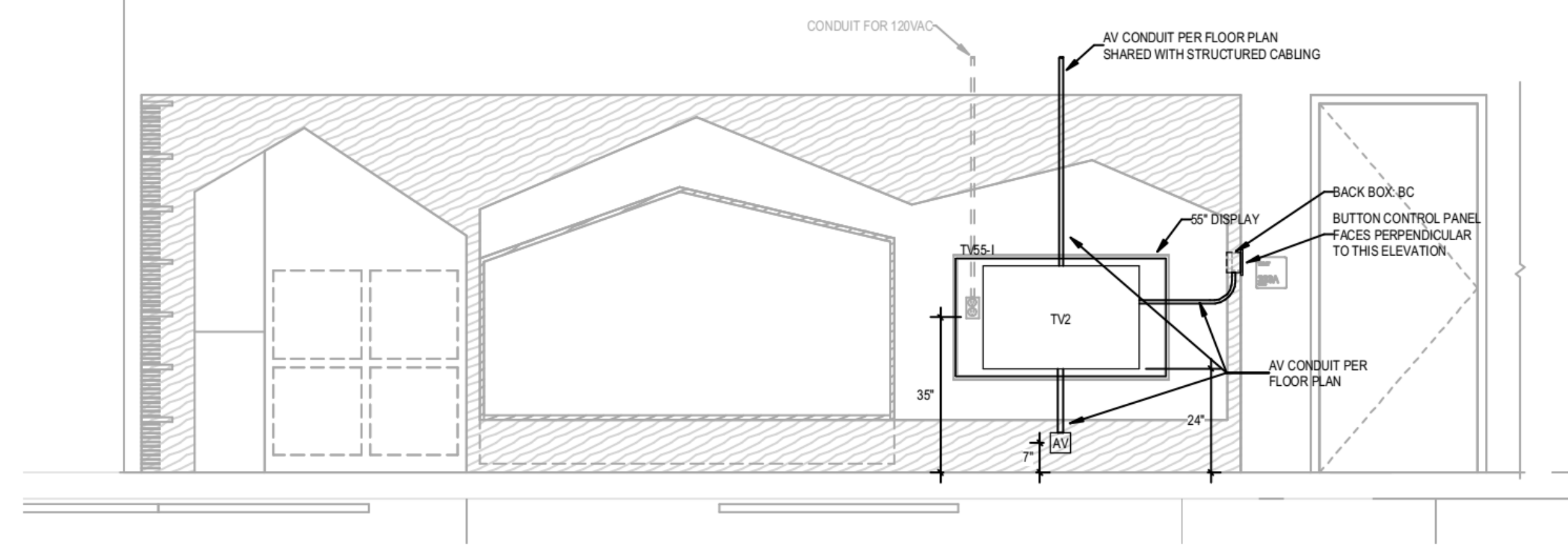
4 LEVEL 1 NORTH ELEVATION - MEETING ROOM (107A) - AV DETAILS
1/2" = 1'-0"

Drawing Revisions:

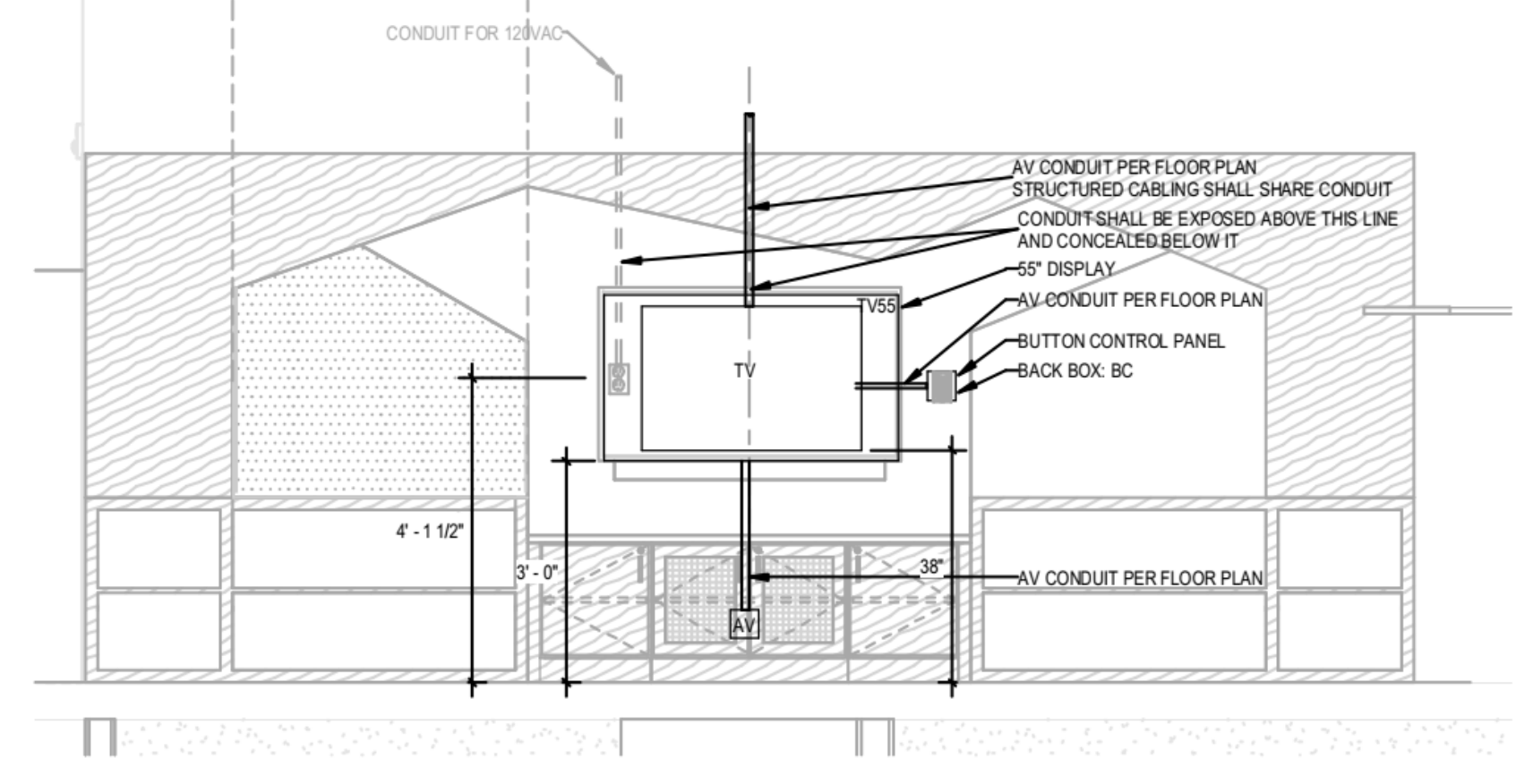
Rev	Date	Notes	By
1	10/07/2021	Review	BK

Drawing Name:
Rawlins Renovation
SO#
PR# 2780
Drawing No:

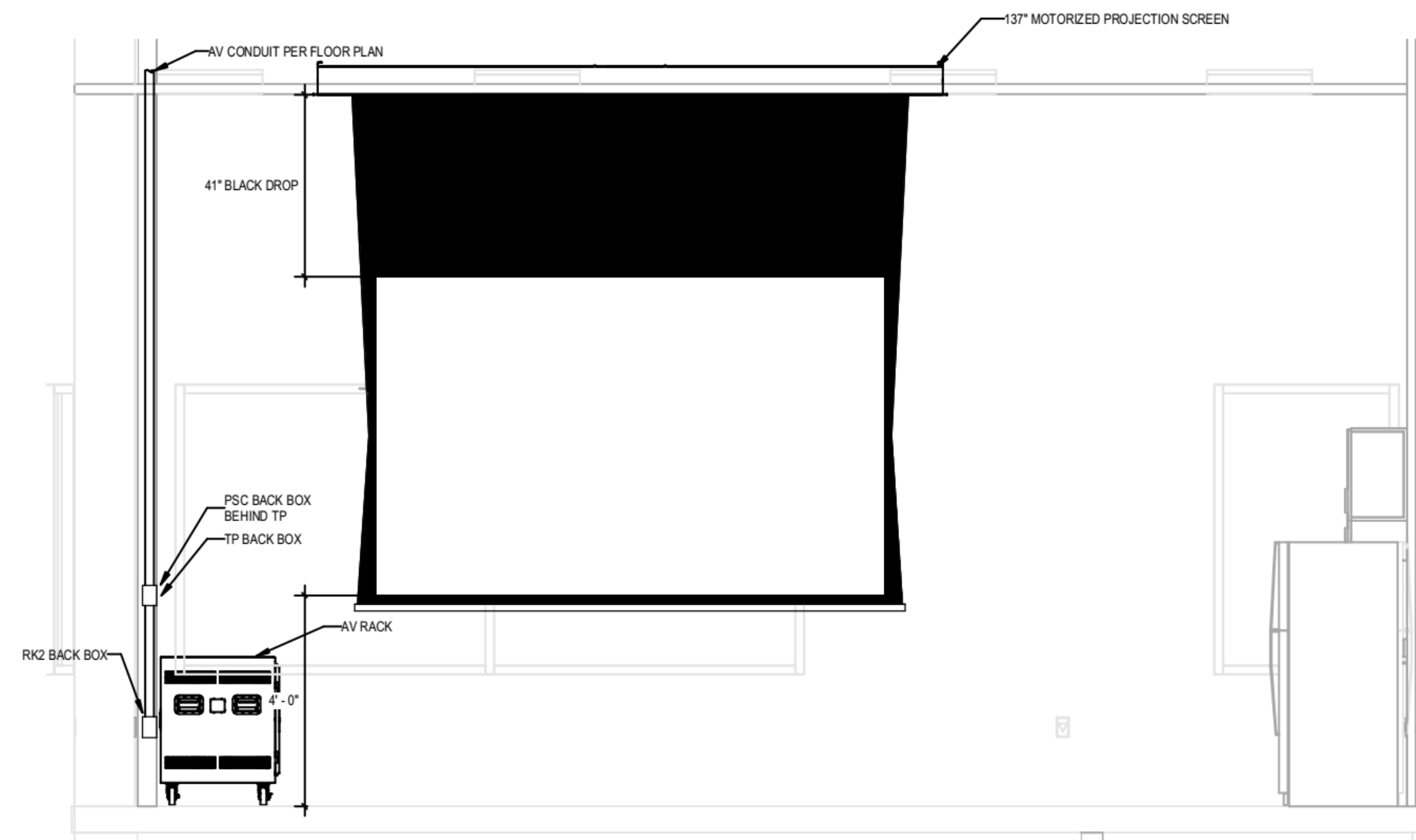
AV 3.00



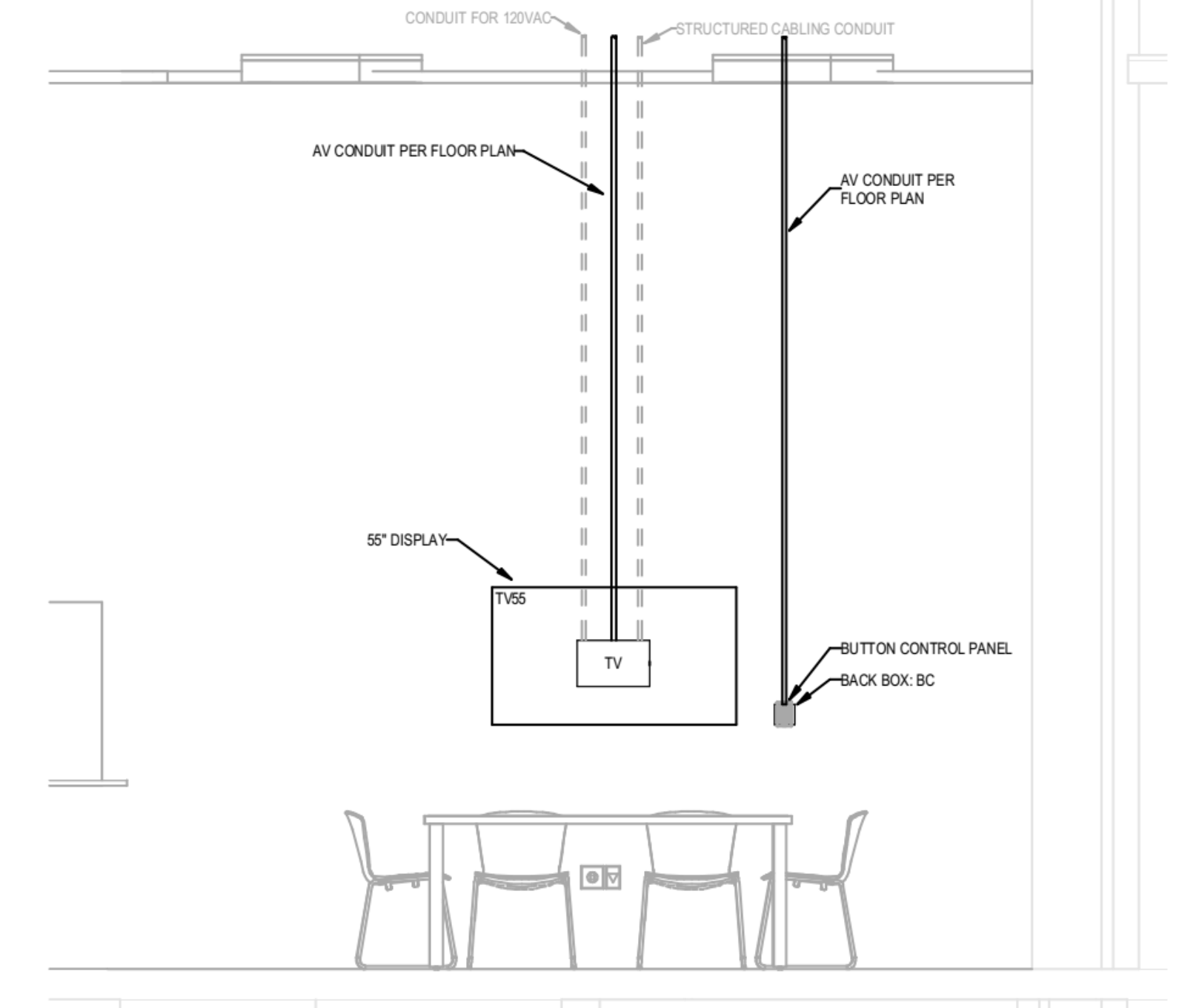
1 LEVEL 2 NORTH ELEVATION - CHILDREN'S SERVICES (210) - CHILDREN'S INTERACTIVE DISPLAY DETAILS
1/2" = 1'-0"



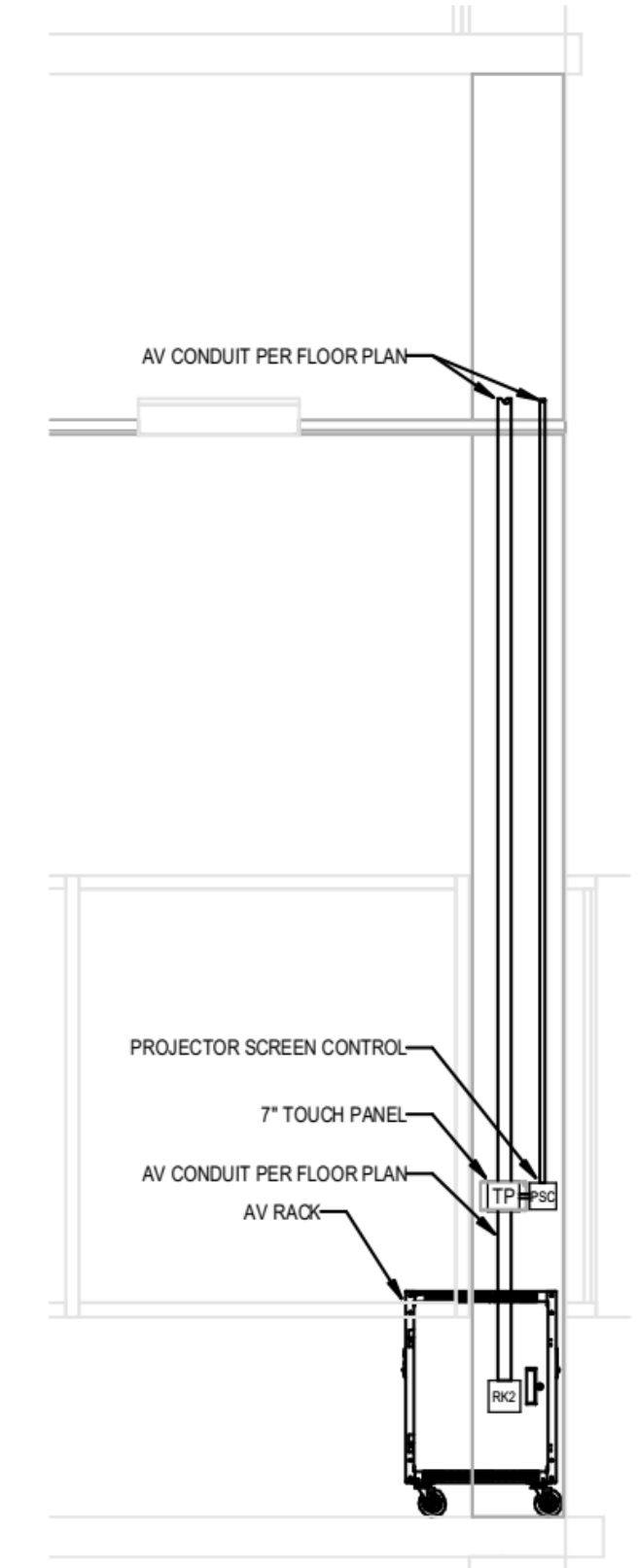
2 LEVEL 2 NORTH ELEVATION - CHILDREN'S SERVICES (210) - CHILDREN'S TWEEN GAMING
1/2" = 1'-0"



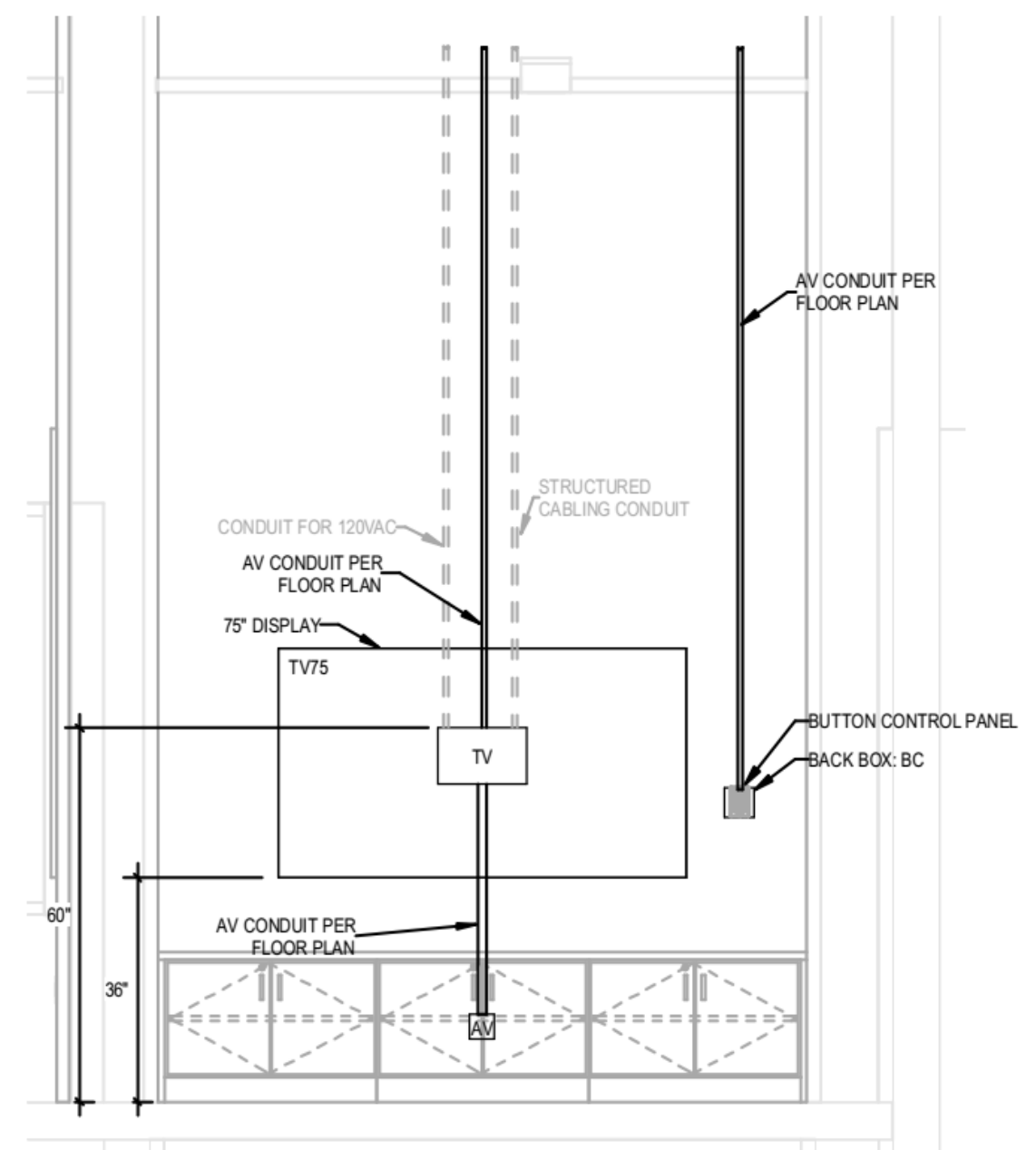
3 LEVEL 2 NORTH ELEVATION - PROGRAM ROOM (206) - EAST WALL - AV DETAILS
1/2" = 1'-0"



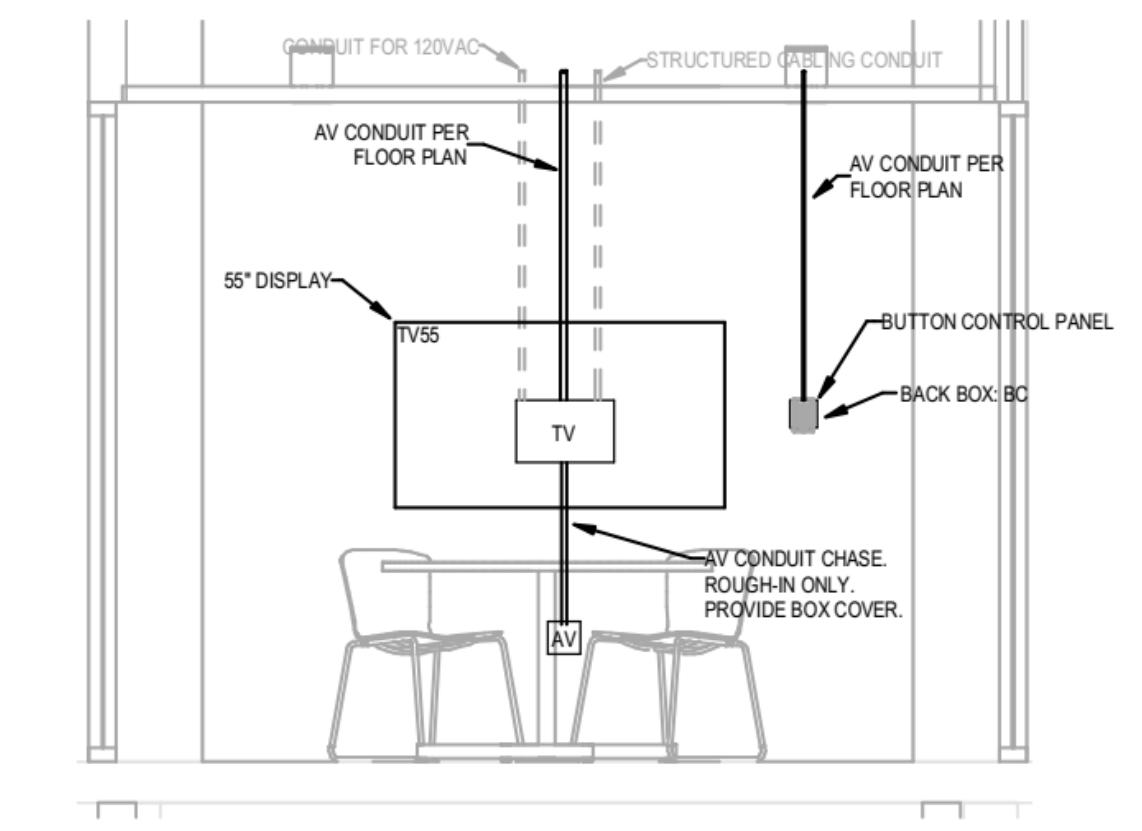
4 LEVEL 2 SOUTH ELEVATION - STUDY/COLLAB (220.1) - AV DETAILS
1/2" = 1'-0"



6 LEVEL 2 NORTH ELEVATION - PROGRAM ROOM (206) - NORTHEAST FURR OUT - AV DETAILS
1/2" = 1'-0"



5 LEVEL 2 NORTH ELEVATION - GAMING CORNER (202) - AV DETAILS
1/2" = 1'-0"

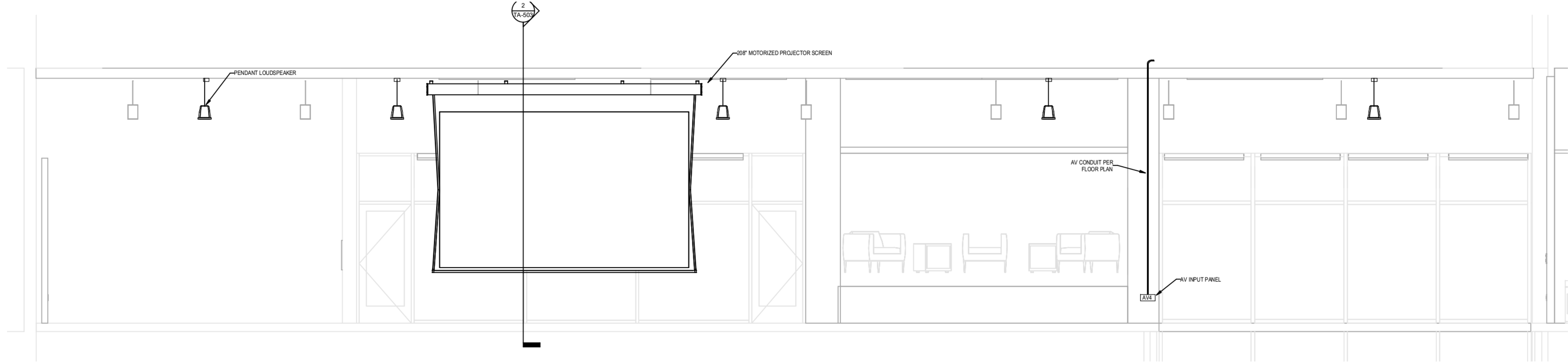


7 LEVEL 2 NORTH ELEVATION - STUDY (211) - AV DETAILS
1/2" = 1'-0"

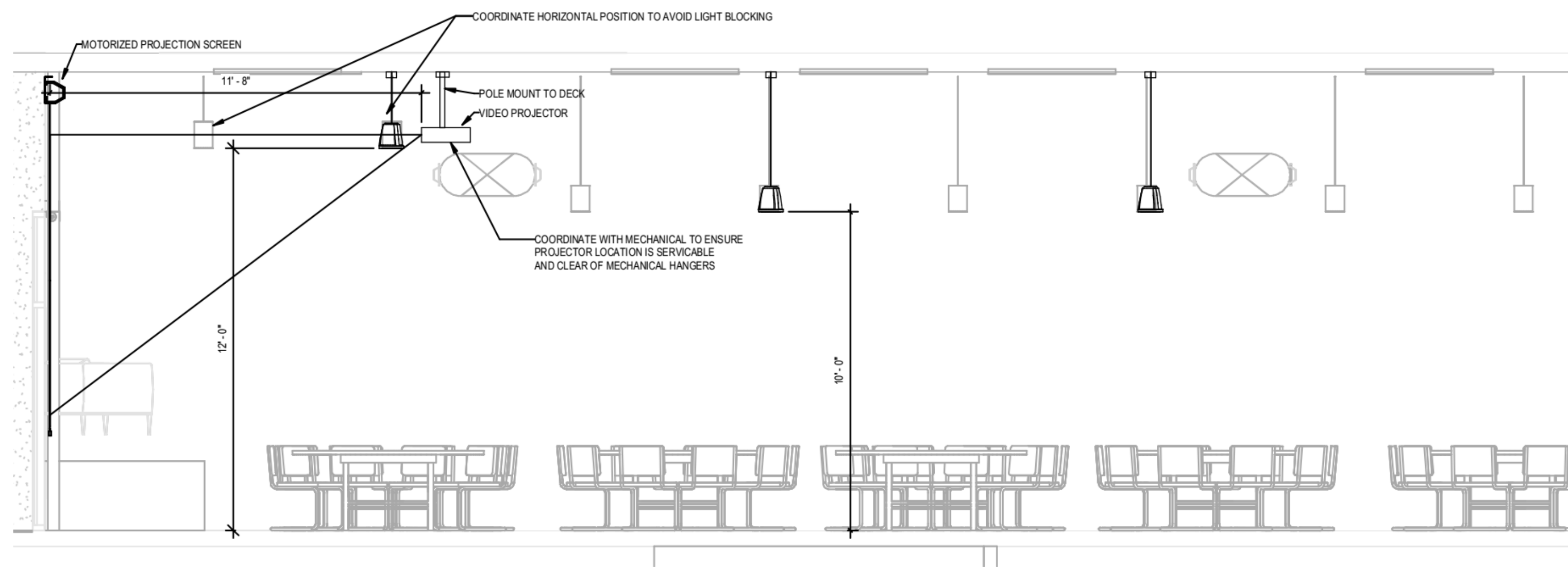
Drawing Revisions:

Rev	Date	Notes	By
1	10/07/2021	Review	BK

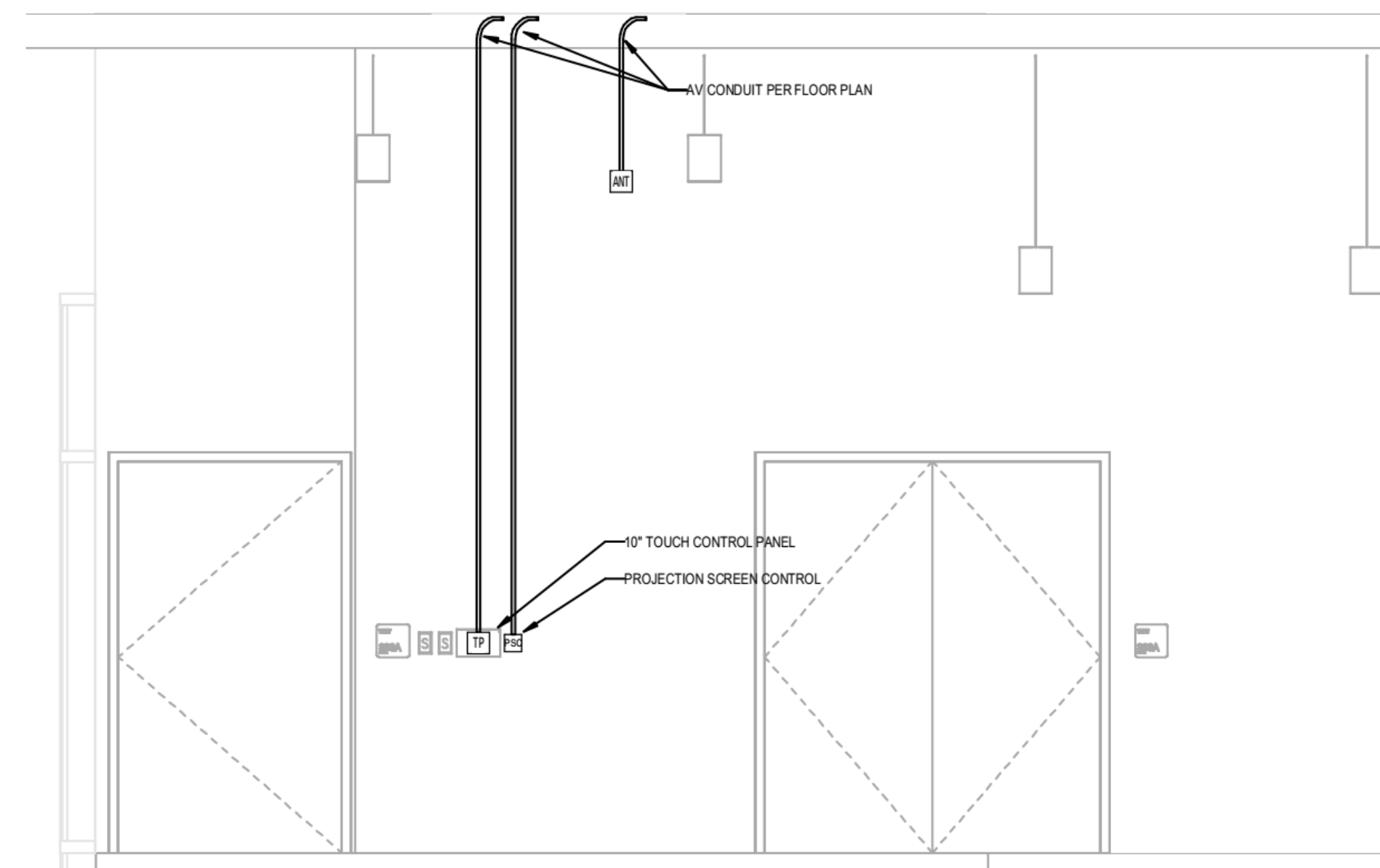
Drawing Name:
Rawlings Renovation
SO#
PR# 2780
Drawing No:
AV 3.01



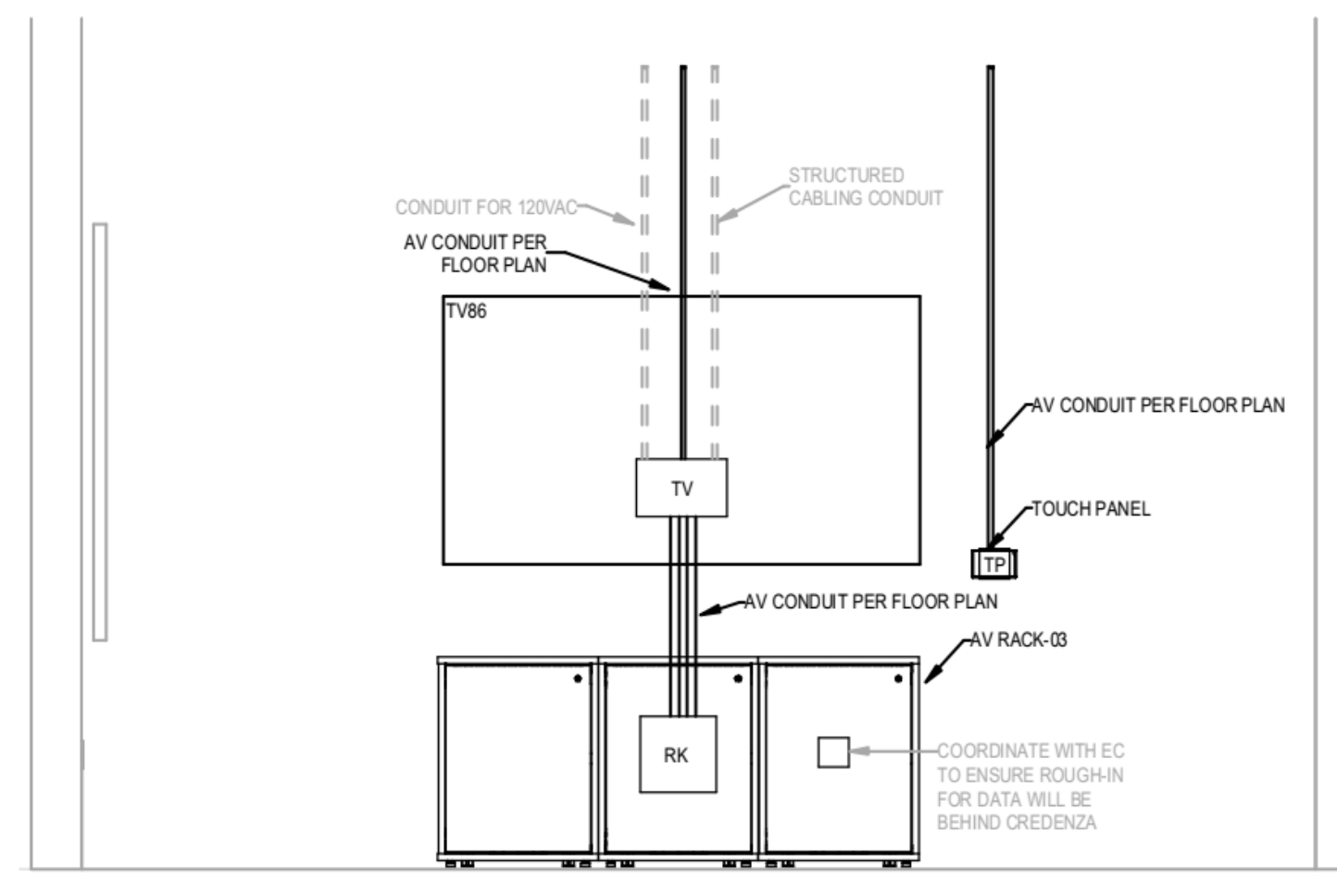
1 LEVEL 4 NORTH ELEVATION - EVENT SPACE (408) NORTH WALL - AV DETAILS
3/8" = 1'-0"



2 LEVEL 4 NORTH SECTION - EVENT SPACE (408) - AV DETAILS
3/8" = 1'-0"



3 LEVEL 4 NORTH ELEVATION - EVENT SPACE (408) EAST WALL - AV DETAILS
1/2" = 1'-0"



4 LEVEL 4 NORTH ELEVATION - CONFERENCE/GREEN ROOM (410) - AV DETAILS
1/2" = 1'-0"

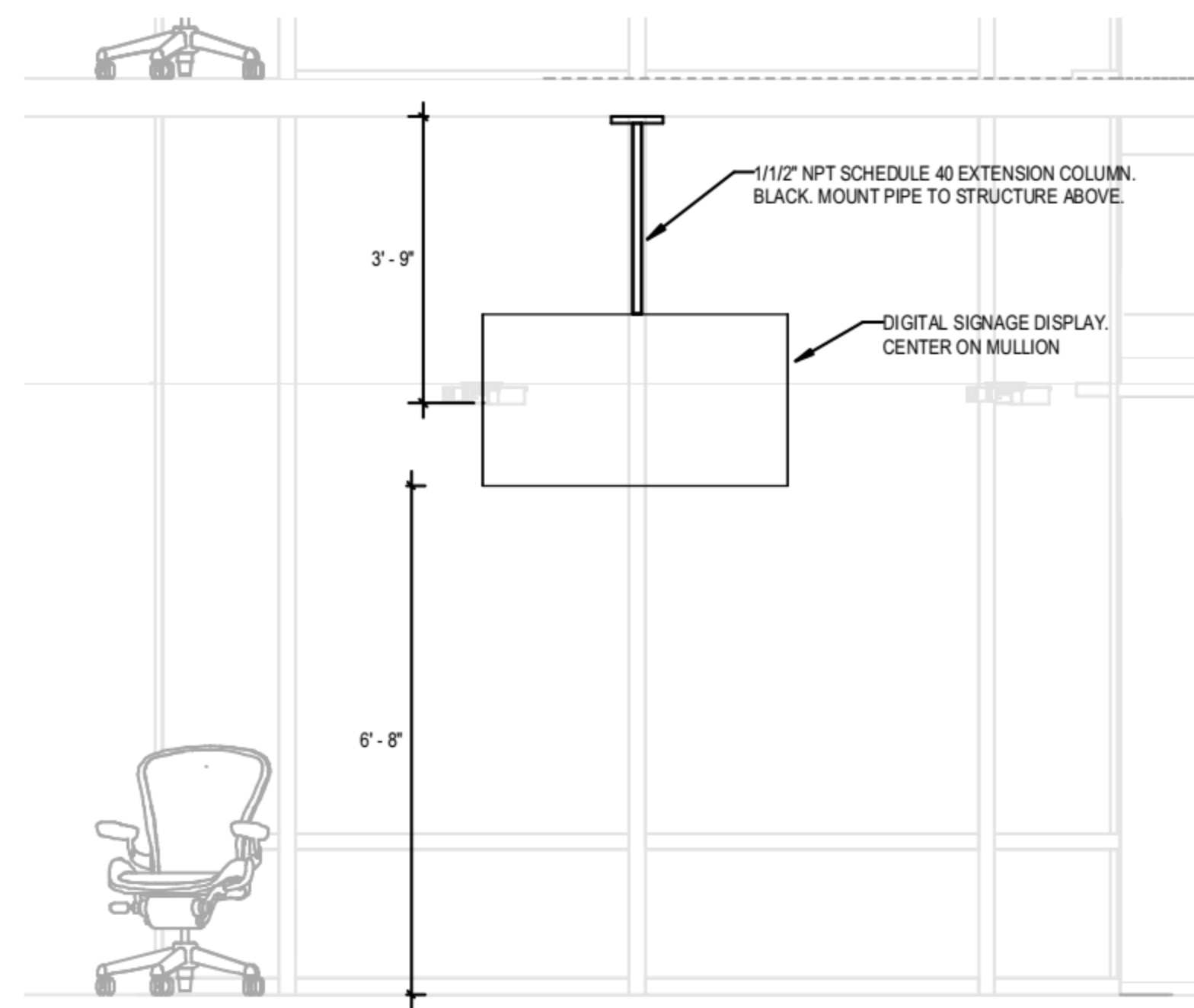
Drawing Revisions:

Rev	Date	Notes	By
1	10/07/2021	Review	BK

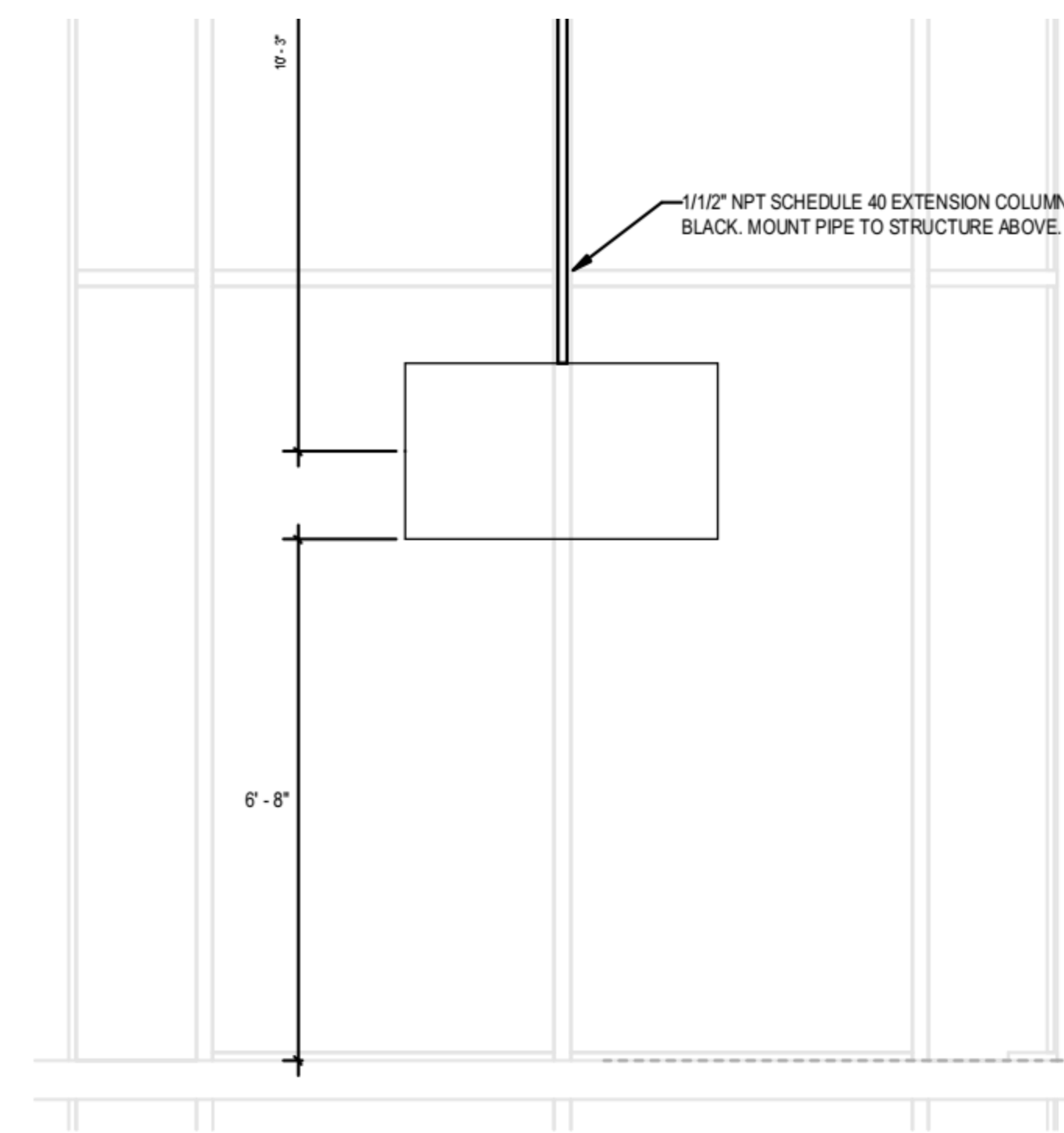
Drawing Name:
Rawlings Renovation

SO#
PR# 2780

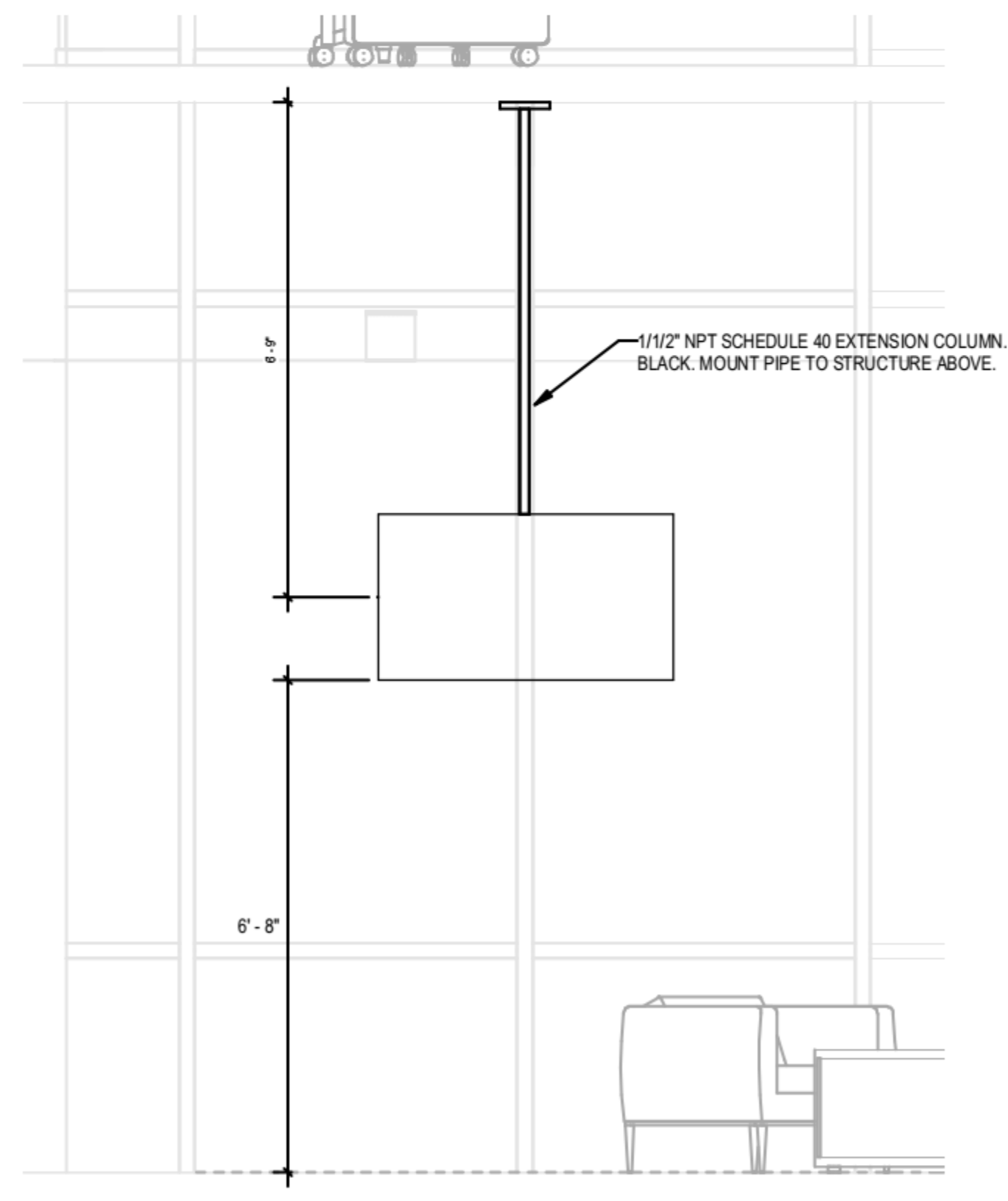
Drawing No:
AV 3.02



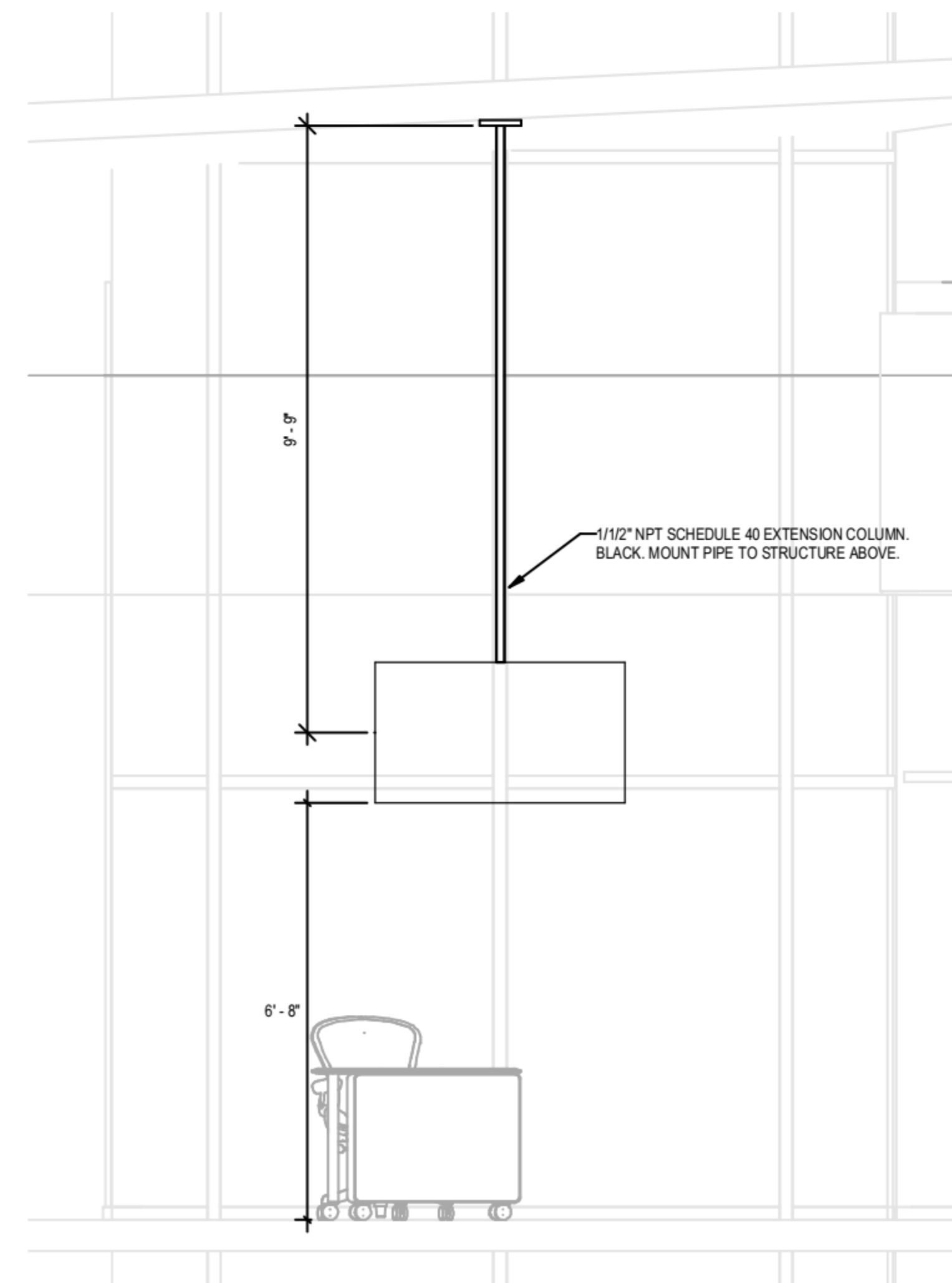
1 LEVEL 1 NORTH ELEVATION - DIGITAL SIGNAGE DISPLAY
1/2" = 1'-0"



2 LEVEL 2 NORTH ELEVATION - DIGITAL SIGNAGE DISPLAY
1/2" = 1'-0"



3 LEVEL 3 NORTH ELEVATION - DIGITAL SIGNAGE DISPLAY
1/2" = 1'-0"



4 LEVEL 4 NORTH ELEVATION - DIGITAL SIGNAGE DISPLAY
1/2" = 1'-0"

CCS Presentation Systems
700 West Mississippi Ave A6
Denver, CO 80228
T: 303-694-3823 F: 303-592-2126
Www.CCSProjects.com

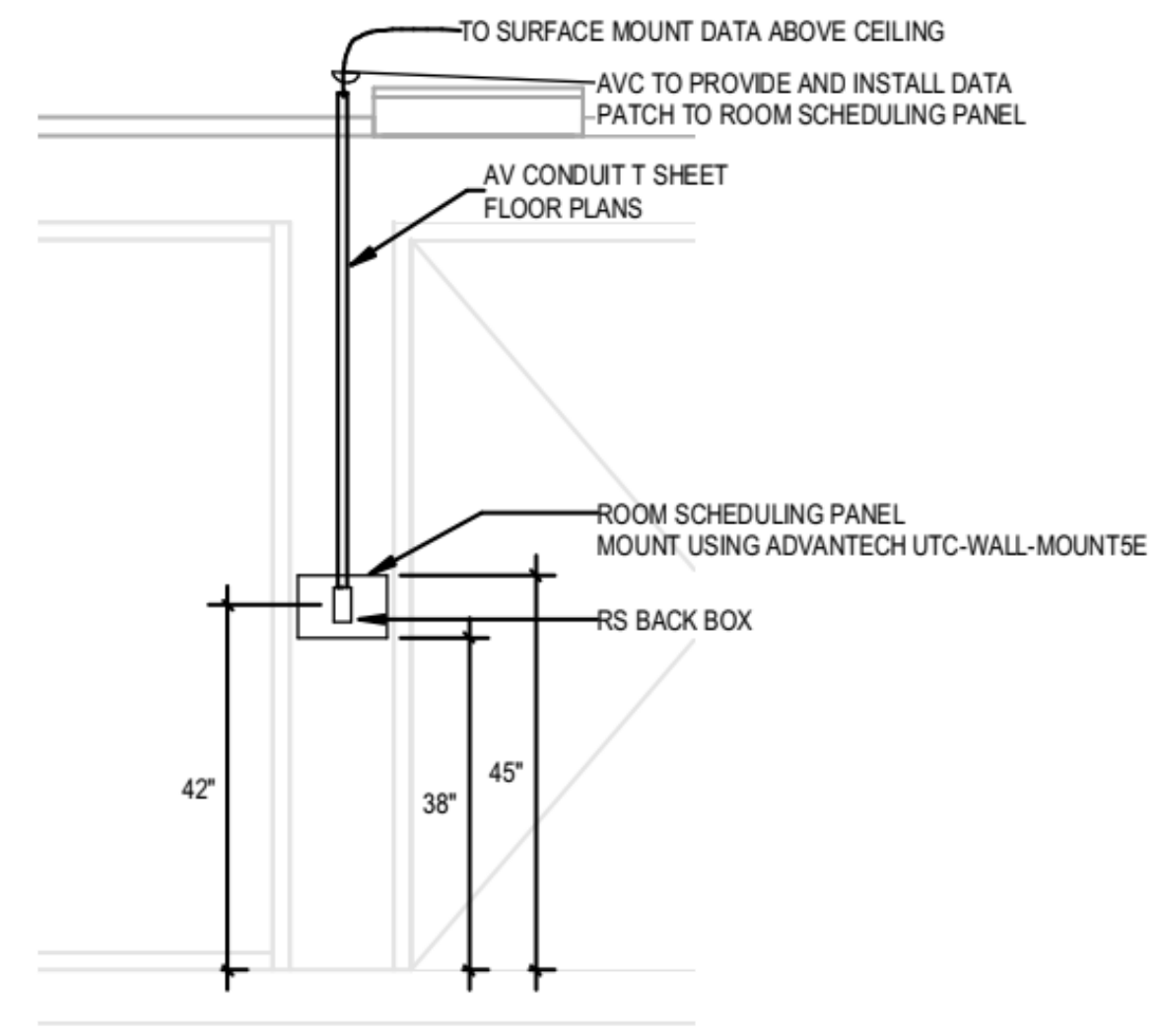
Rawlings Library
2021 Renovation
100 East Abriendo Ave.
Pueblo, CO 81004

Rev	Date	Notes	By
1	10/07/2021	Review	BK

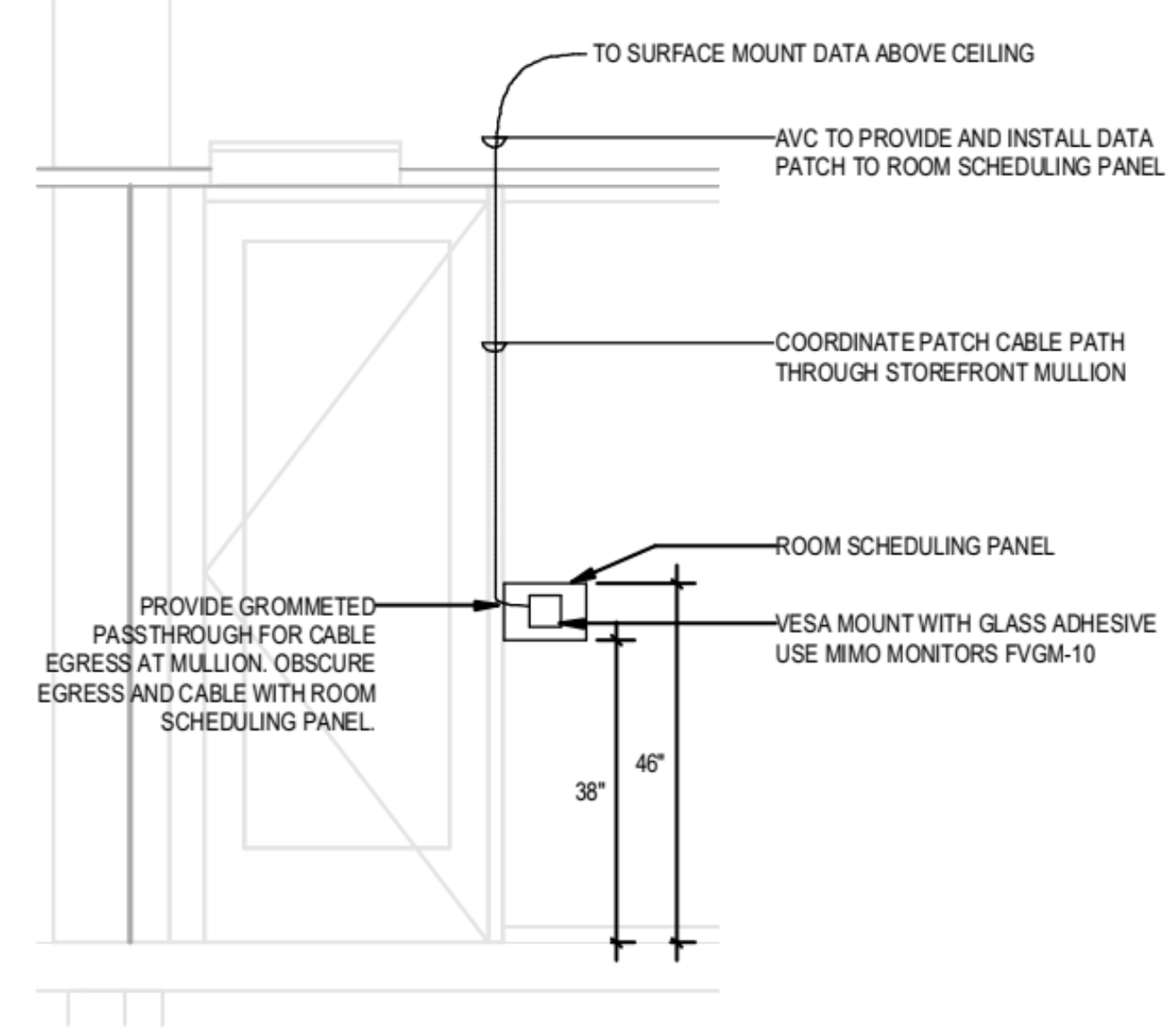
Drawing Name:
Rawlings Renovation
SO#
PR# 2780
Drawing No:

AV 3.03

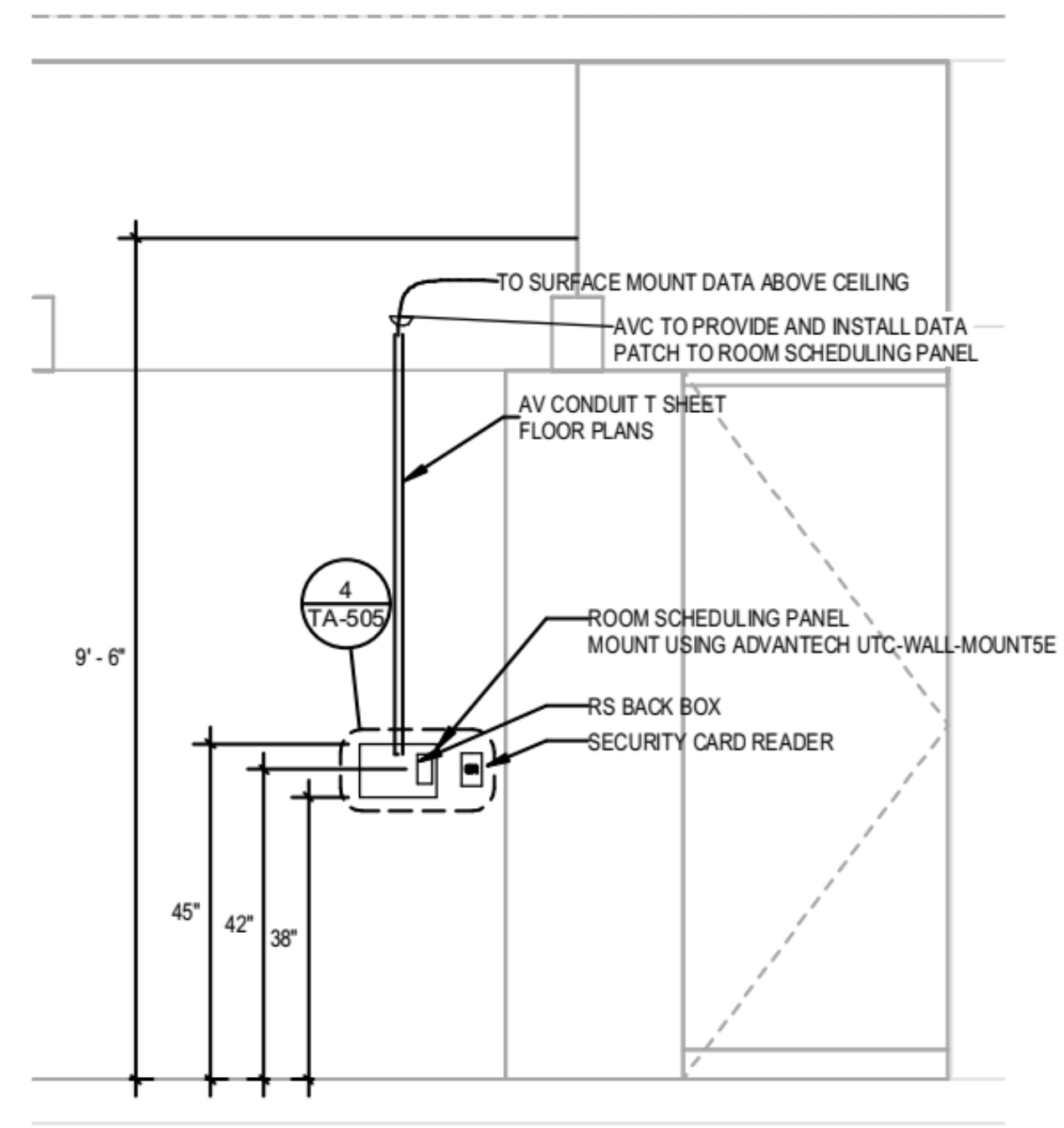
CCS Presentation Systems
700 West Mississippi Ave A6
Denver, CO 80228
T: 303-694-3923 F: 303-592-2126
Www.CCSProjects.com



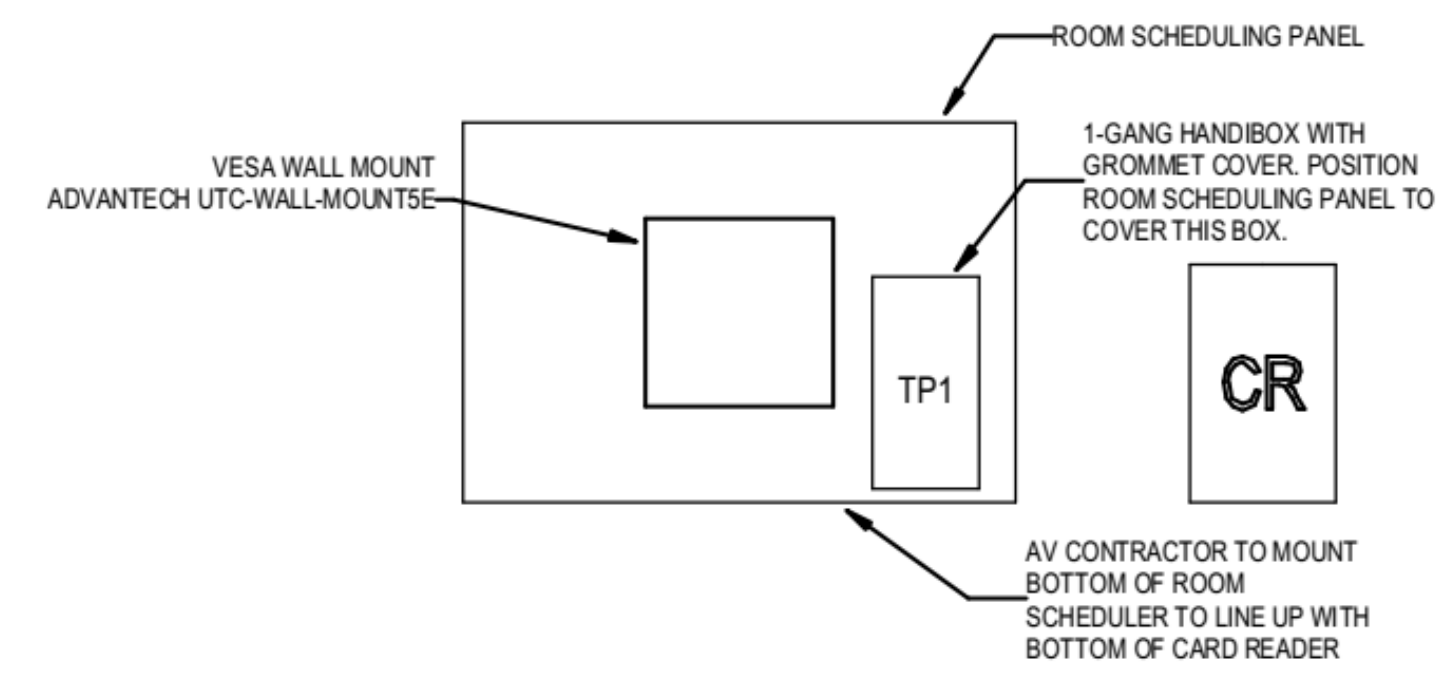
1 ROOM SCHEDULING PANEL - WALL MOUNTED DETAIL (TYPICAL)
1/2" = 1'-0"



2 ROOM SCHEDULING PANEL - GLASS MOUNTED (TYPICAL)
1/2" = 1'-0"



3 ROOM SCHEDULING PANEL AND SECURITY CARD READER - WALL MOUNTED DETAIL (TYPICAL)
1/2" = 1'-0"



4 ROOM SCHEDULING PANEL AND SECURITY CARD READER - MOUNTING DETAIL
3" = 1'-0"

Rawlings Library
2021 Renovation
100 East Abriendo Ave.
Pueblo, CO 81004

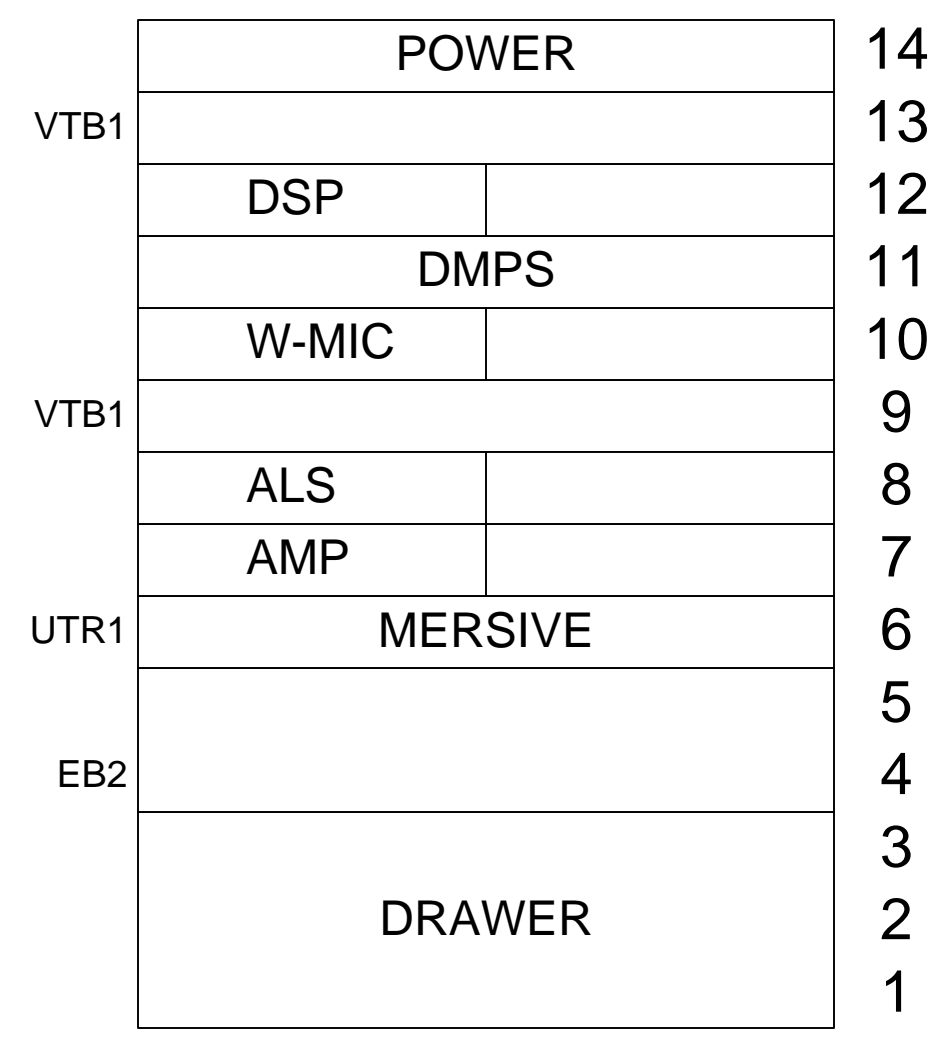
Drawing Revisions:

Rev	Date	Notes	By
1	10/07/2021	Review	BK

Drawing Name:
Rawlins Renovation
SO#
PR# 2780
Drawing No:
AV 3.04

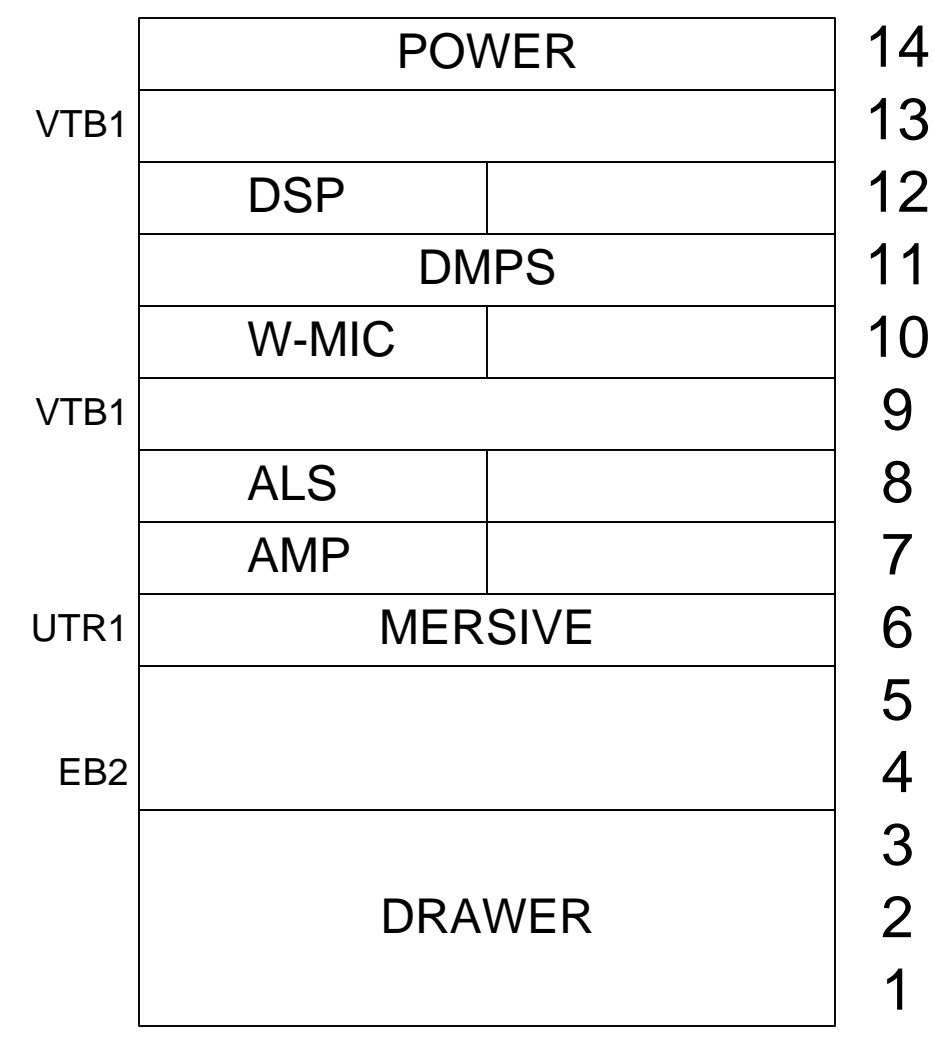
CCS Presentation Systems
700 West Mississippi Ave A6
Denver, CO 80228
T: 303-694-3923 F: 303-592-2126
www.CCSProjects.com

Rawlings Library
2021 Renovation
100 East Abriendo Ave.
Pueblo, CO 81004



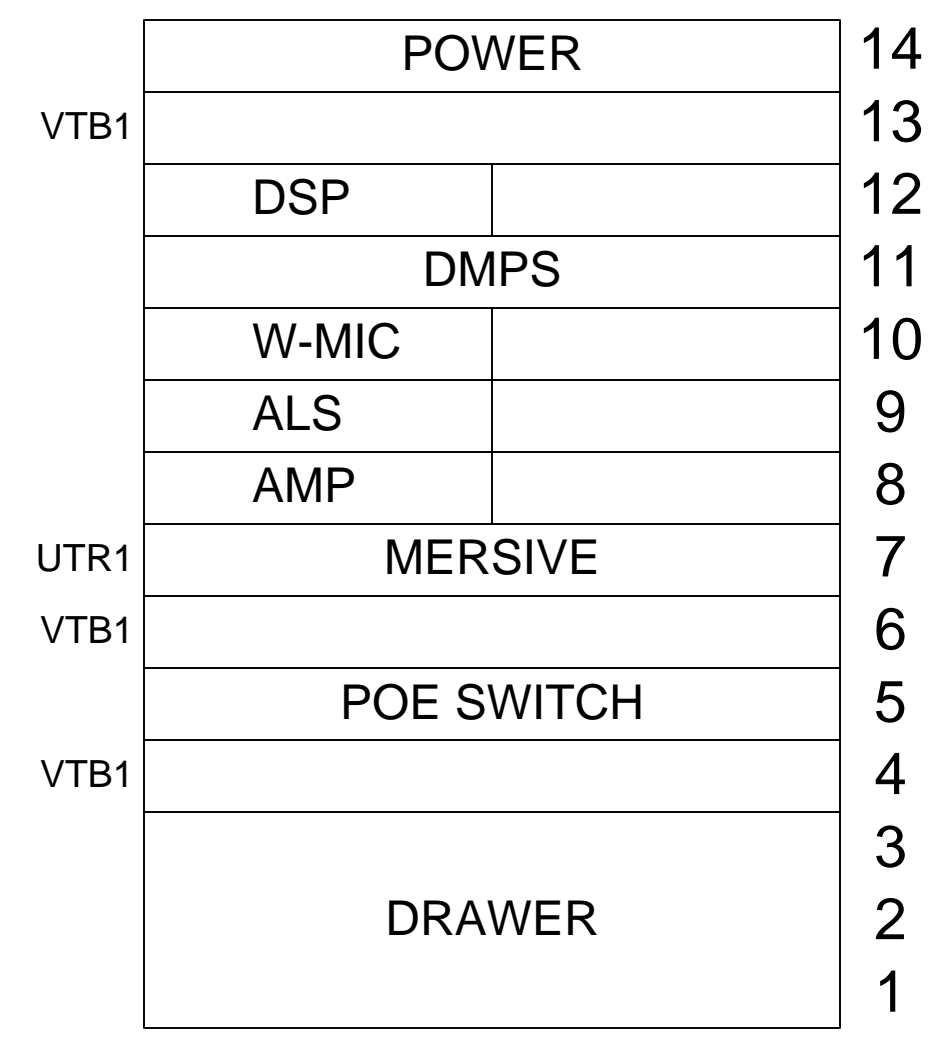
MIDDLE ATLANTIC PTRK-1426MDK WITH PD-815SC-NS VERTICAL POWER & PTRK-RR14 REAR RACK RAILS

1 AV RACK - MEETING ROOM 107
N.T.S.



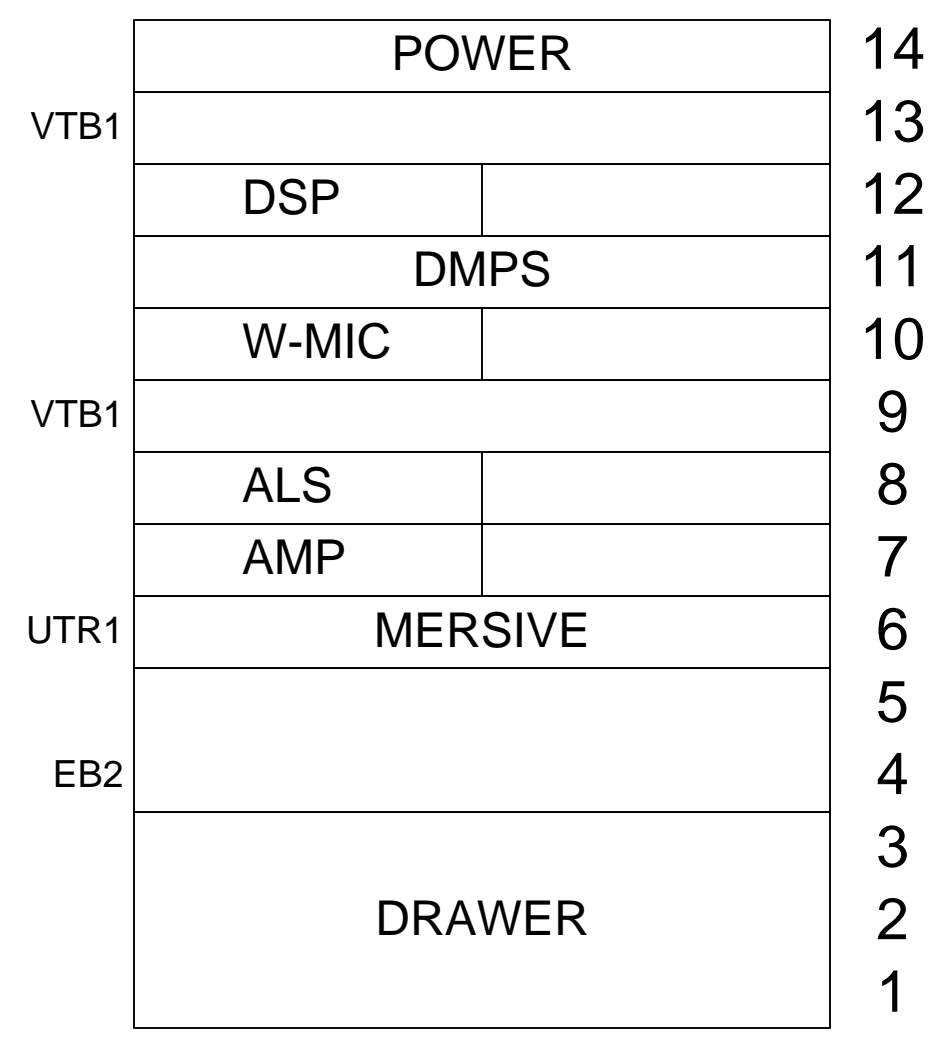
MIDDLE ATLANTIC PTRK-1426MDK WITH PD-815SC-NS VERTICAL POWER & PTRK-RR14 REAR RACK RAILS

2 AV RACK - MEETING ROOM 107B
N.T.S.



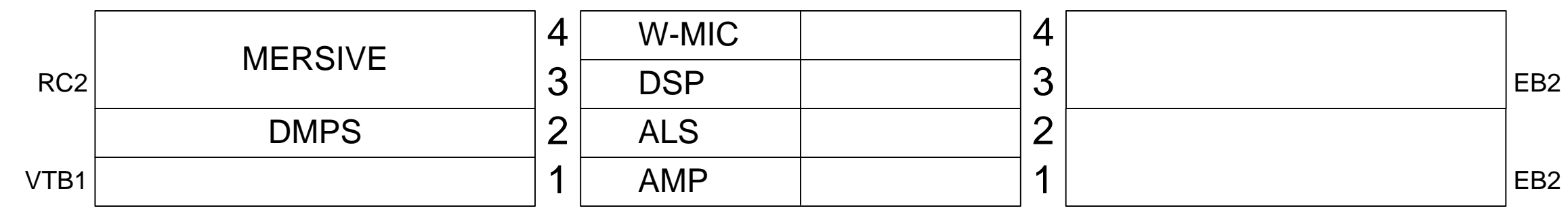
MIDDLE ATLANTIC PTRK-1426MDK WITH PD-815SC-NS VERTICAL POWER & PTRK-RR14 REAR RACK RAILS

3 AV RACK - MEETING ROOM 121
N.T.S.



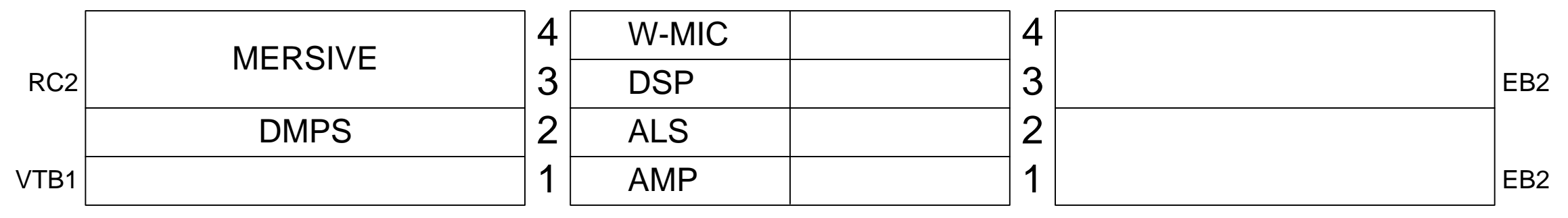
MIDDLE ATLANTIC PTRK-1426MDK WITH PD-815SC-NS VERTICAL POWER & PTRK-RR14 REAR RACK RAILS

4 AV RACK - PROGRAM ROOM 206
N.T.S.



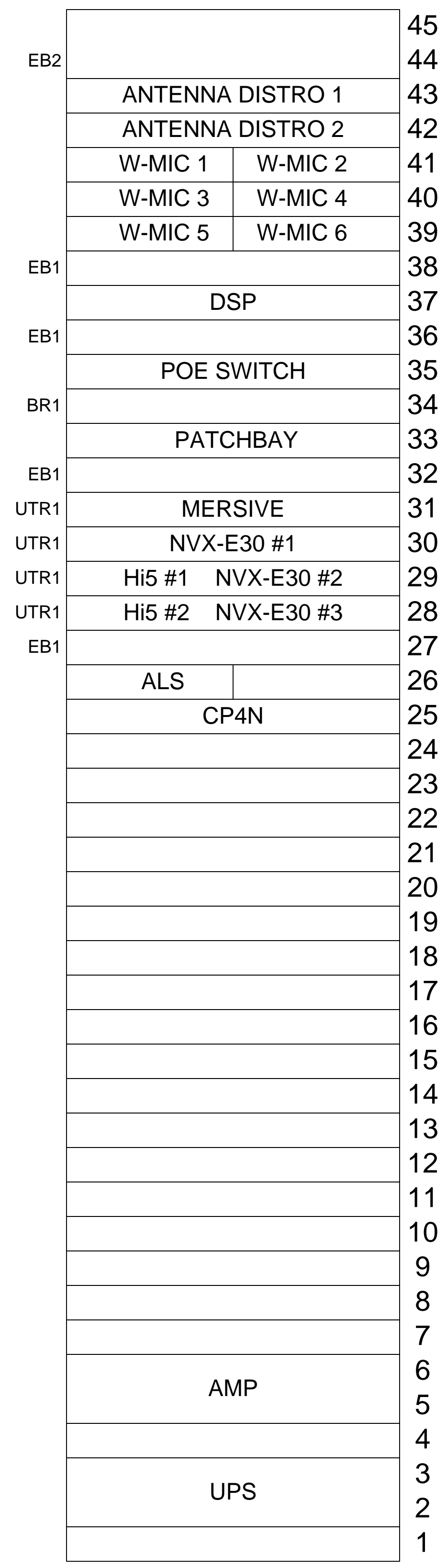
MIDDLE ATLANTIC C3 SERIES 3 BAY SLIM AV CREDEZZA WITH INCLUDED POWER DISTRIBUTION & FAN

6 AV RACK - TRAINING ROOM 113
N.T.S.



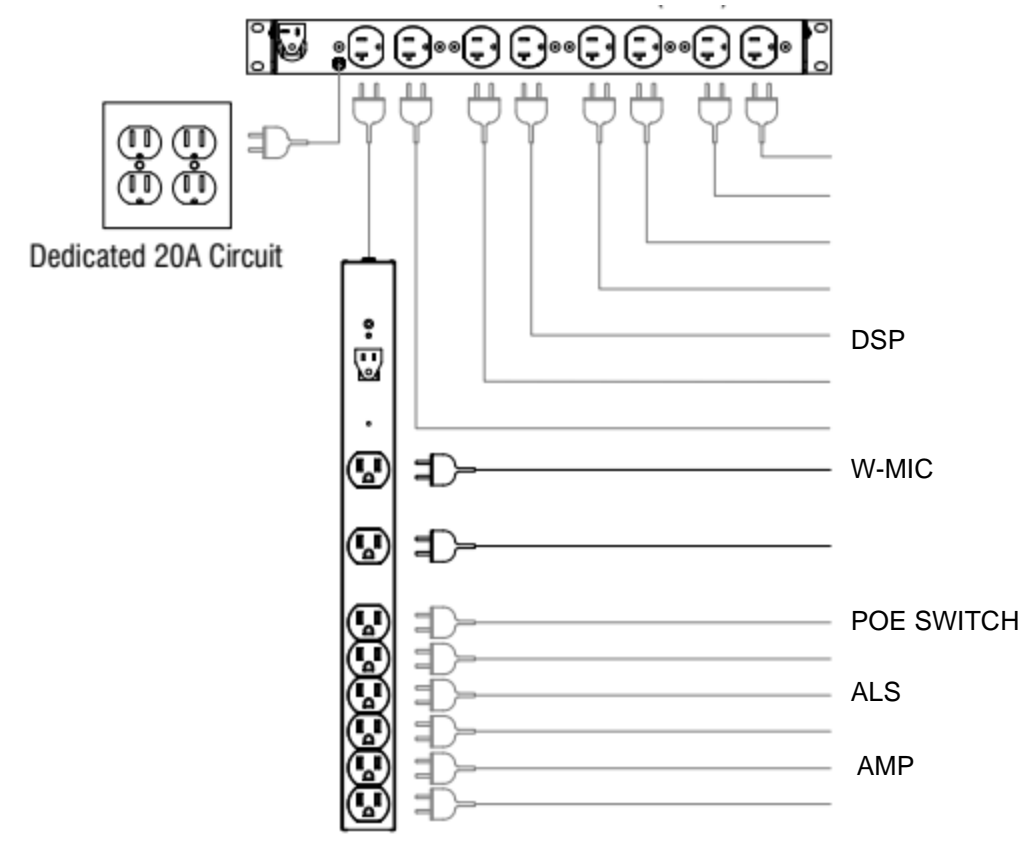
MIDDLE ATLANTIC C3 SERIES 3 BAY SLIM AV CREDEZZA WITH INCLUDED POWER DISTRIBUTION & FAN

7 AV RACK - GREEN ROOM 410
N.T.S.



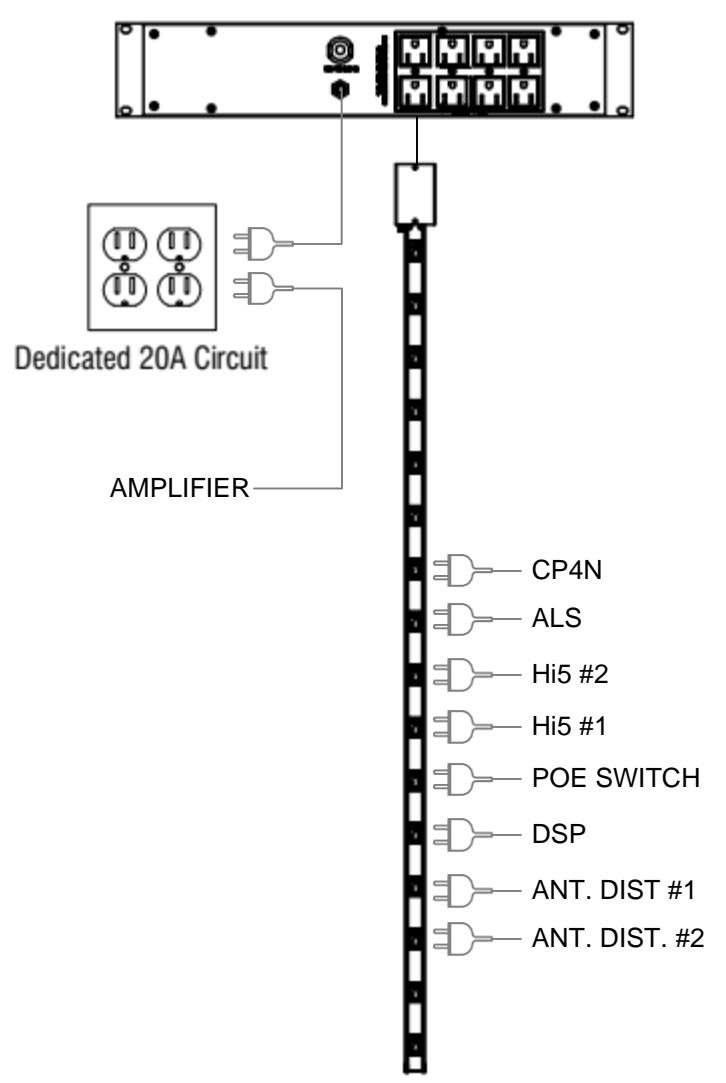
VERIFY RACK MODEL & PROVIDER

5 AV RACK - EVENT SPACE 408
N.T.S.

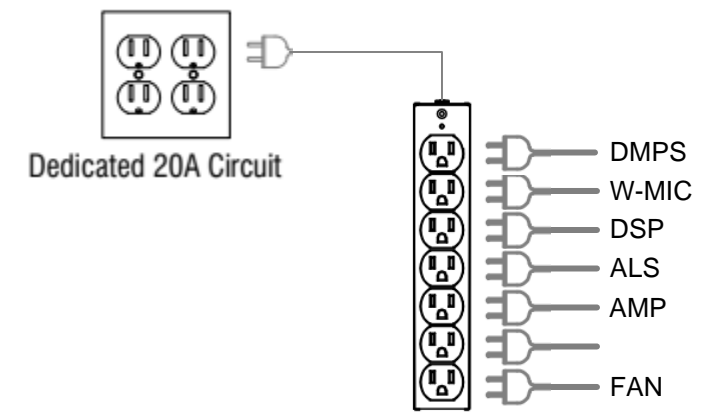


POWER DISTRIBUTION (TYPICAL) ROOMS 107, 107B, 121, 206

8 POWER DISTRIBUTION (TYPICAL) ROOMS 107, 107B, 121, 206



9 POWER DISTRIBUTION EVENT SPACE 408 (TELCO ROOM 410)

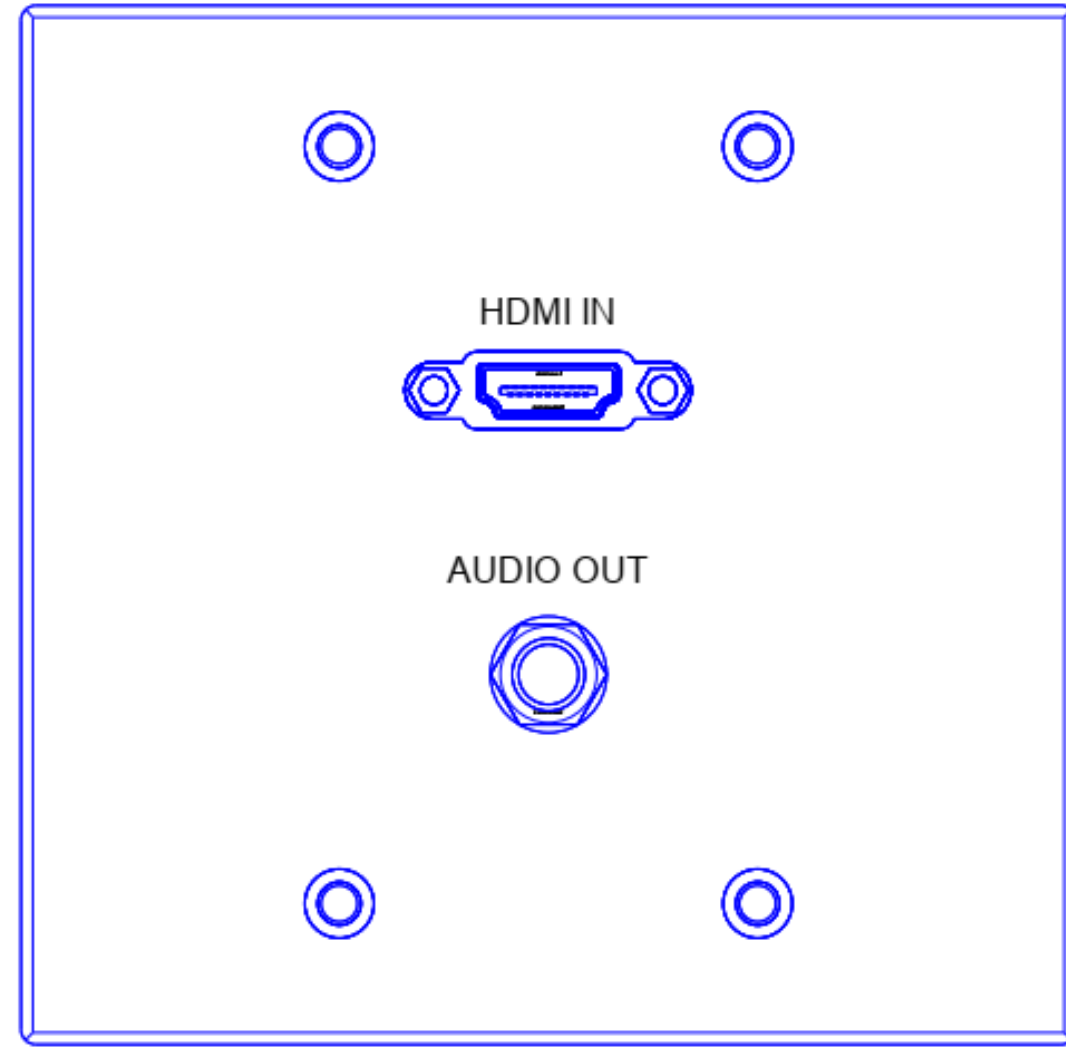


9 POWER DISTRIBUTION (TYPICAL) 113 & 410 GREEN ROOM

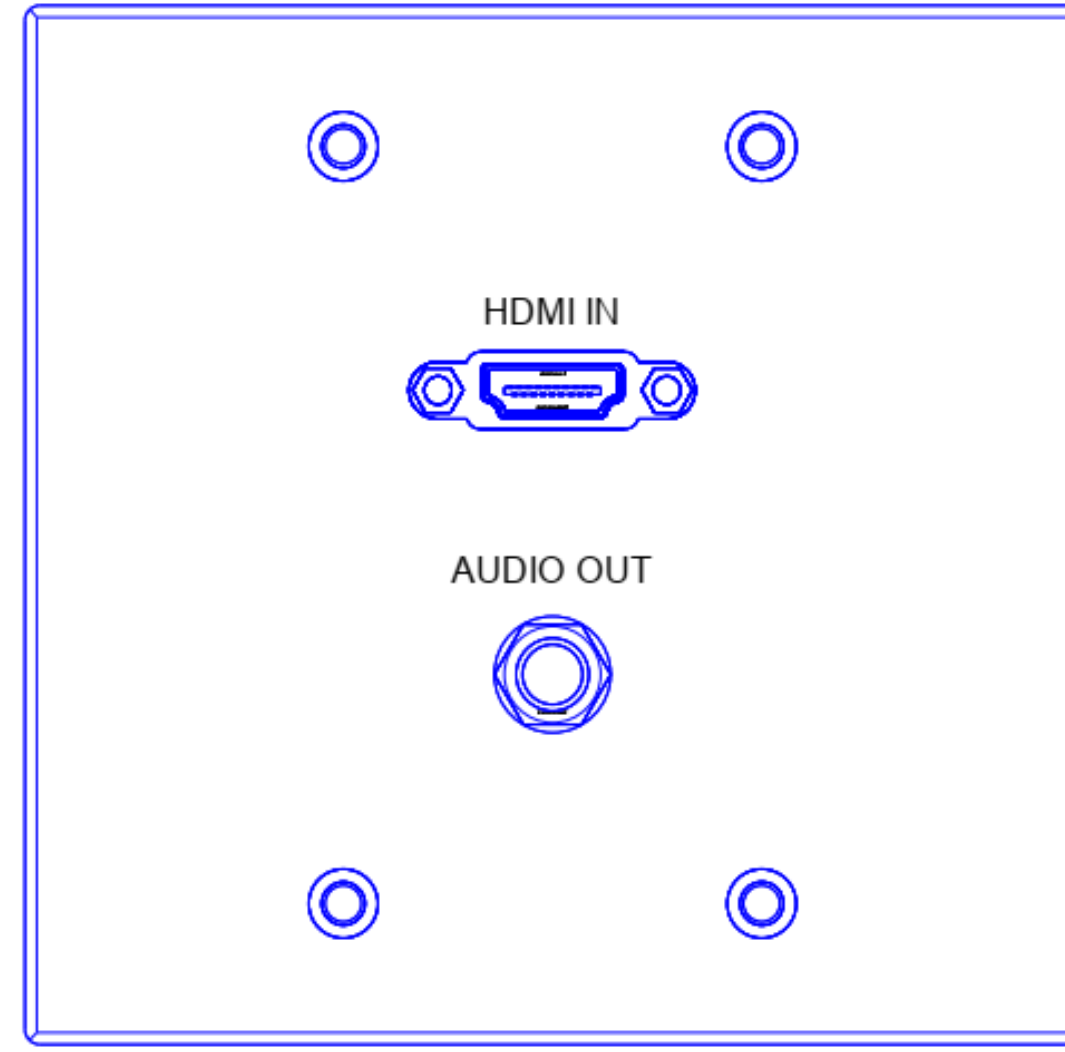
Drawing Revisions:

Rev	Date	Notes	By
1	10/07/2021	Review	BK

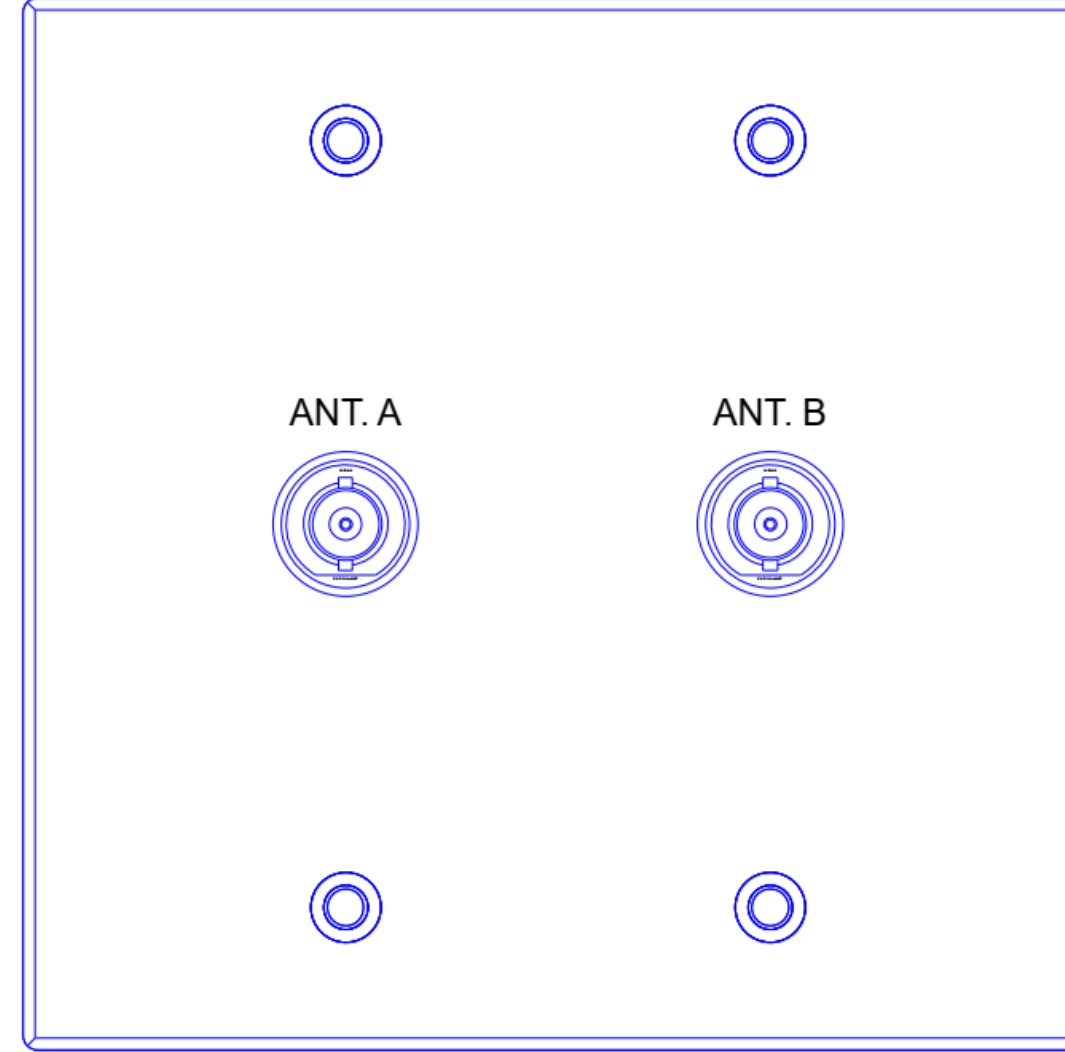
Drawing Name:
Rawlins Renovation
SO#
PR# 2780
Drawing No:
AV 4.00



GAMING CORNER 202
COVID QT- 0101481



CHILDREN'S TWEEN GAMING 210
COVID QT- 0101481



EVENT SPACE 408 MIC ANTENNAS
COVID QT- 0101445



EVENT SPACE 408 AV4 INPUT

Drawing Revisions:

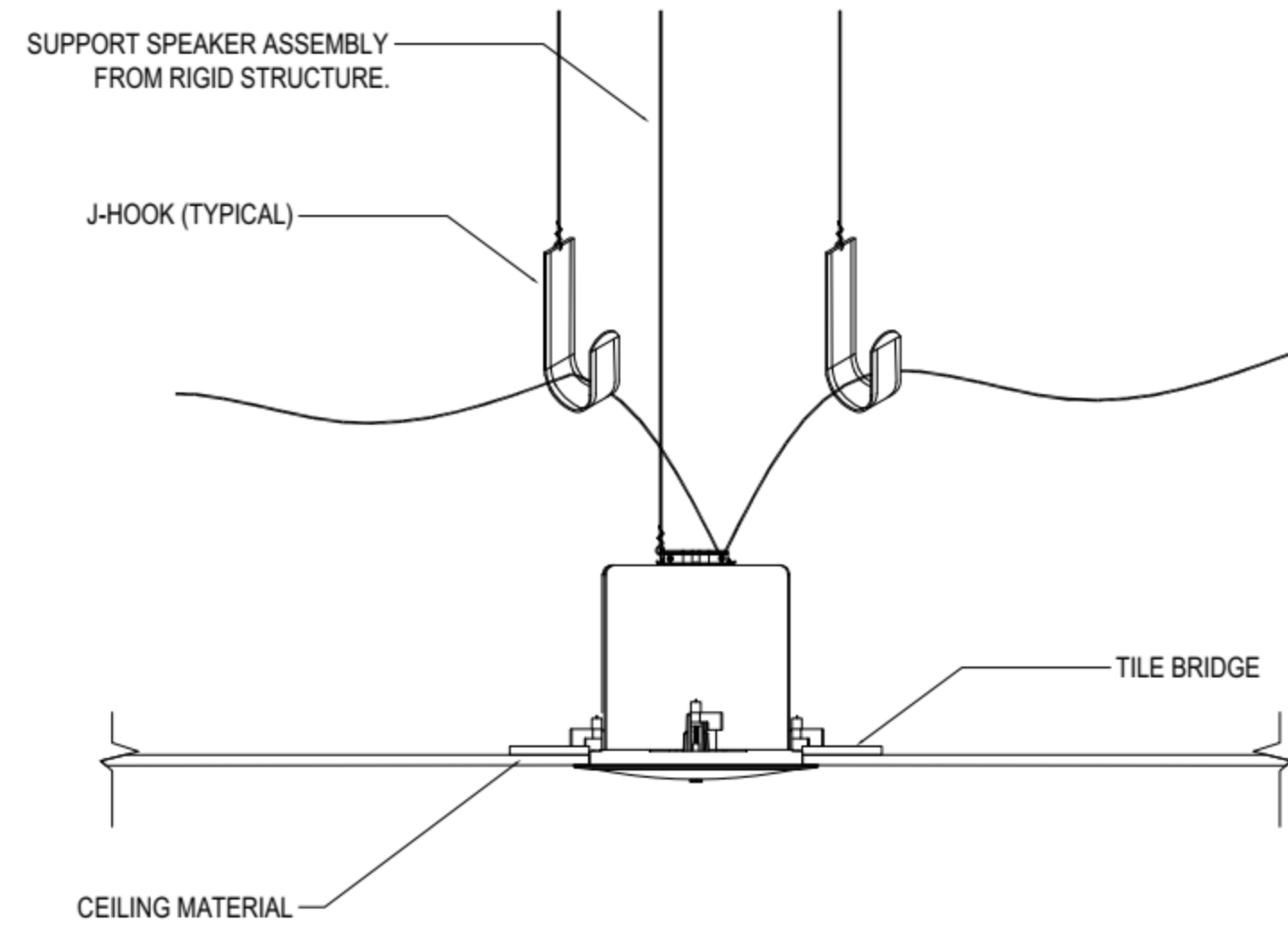
Rev	Date	Notes	By
1	10/07/2021	Review	BK

Drawing Name:
Rawlins Renovation

SO#

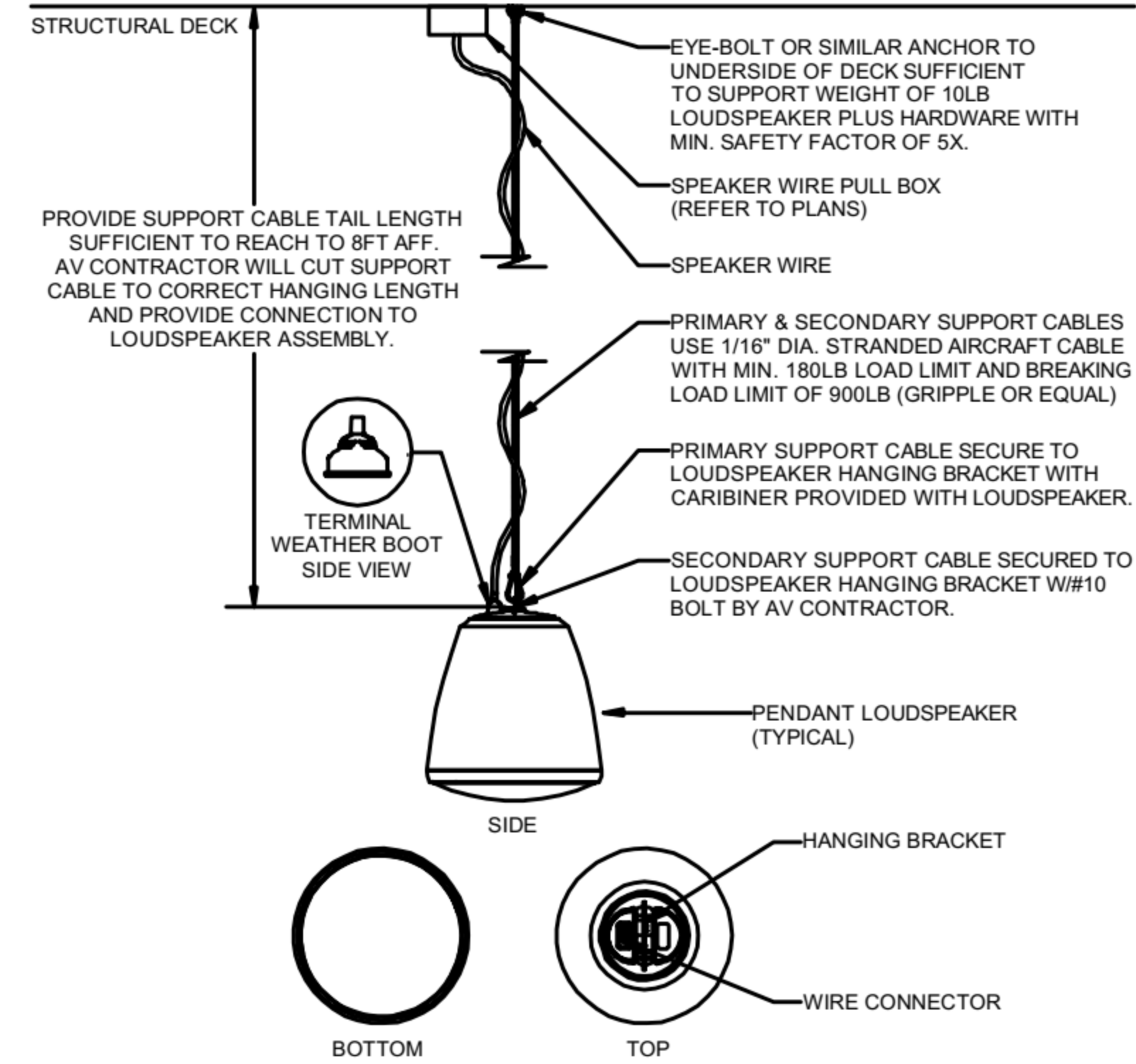
PR# 2780

Drawing No:
AV 4.01



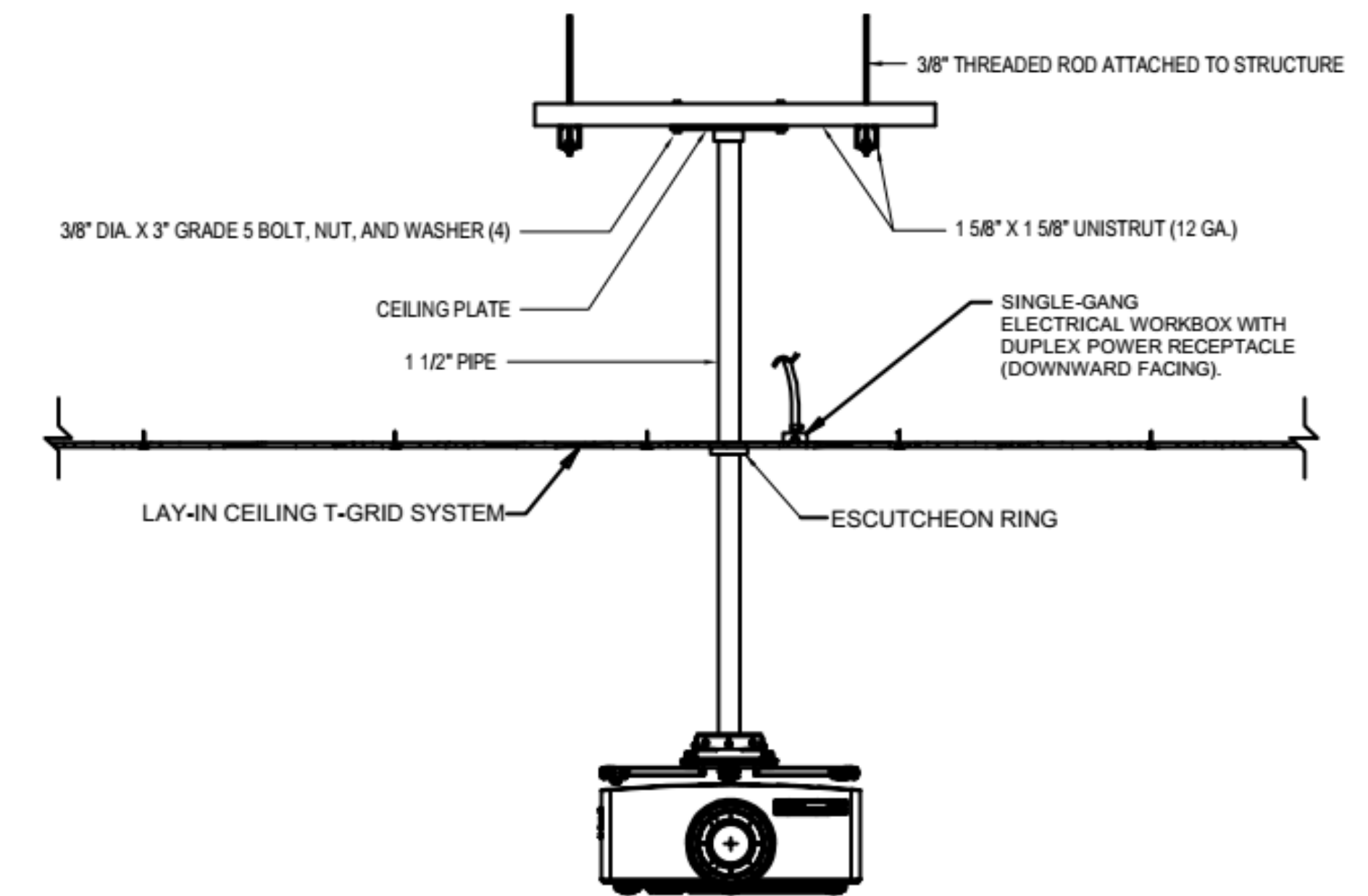
1 RECESSED CEILING LOUDSPEAKER

ROOMS 107,107B, 113, 121, 206, 410



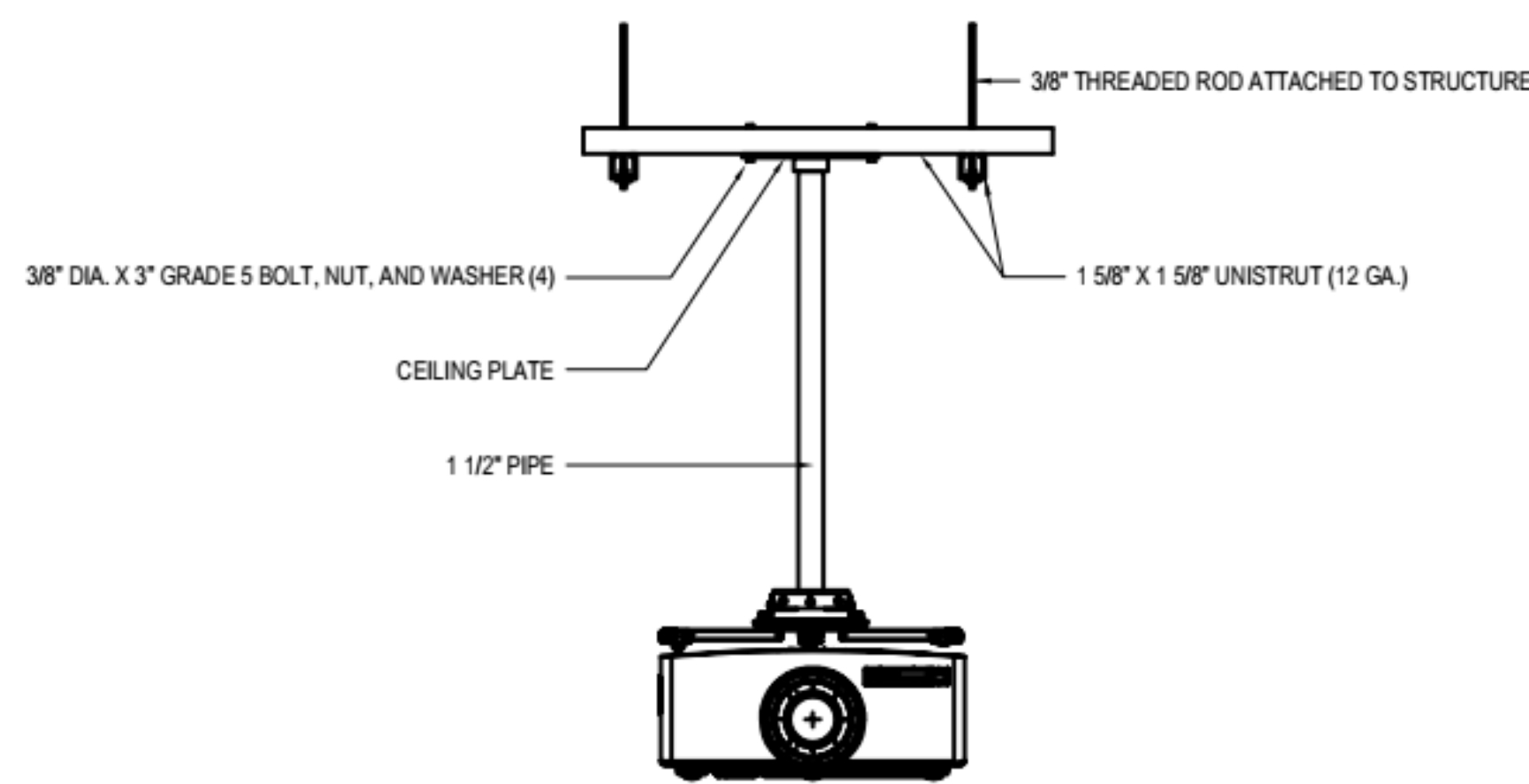
2 PENDANT MOUNTED LOUDSPEAKER

ROOM 408



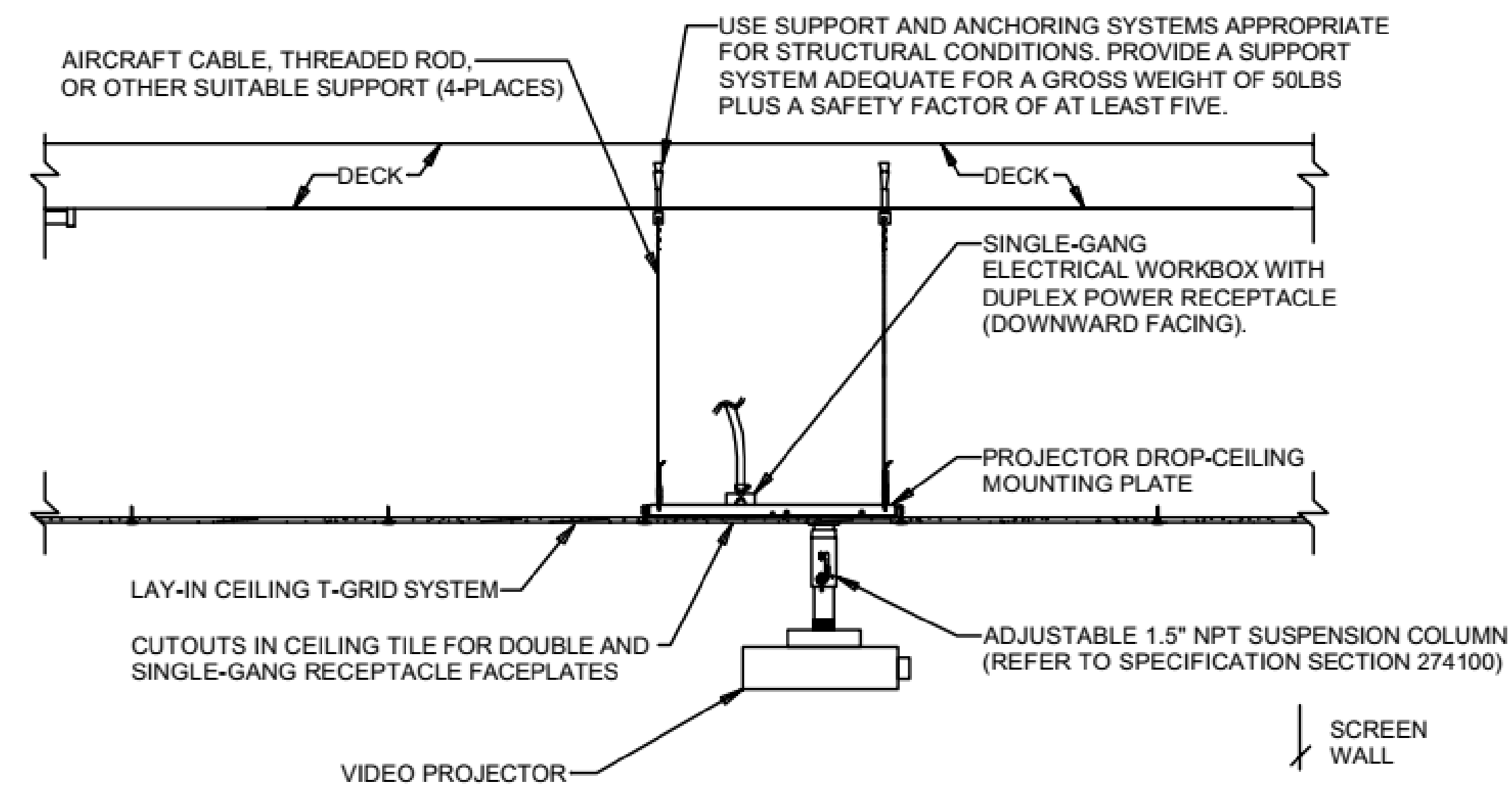
3 PROJECTOR MOUNTING OVER 50LBS

ROOM 206



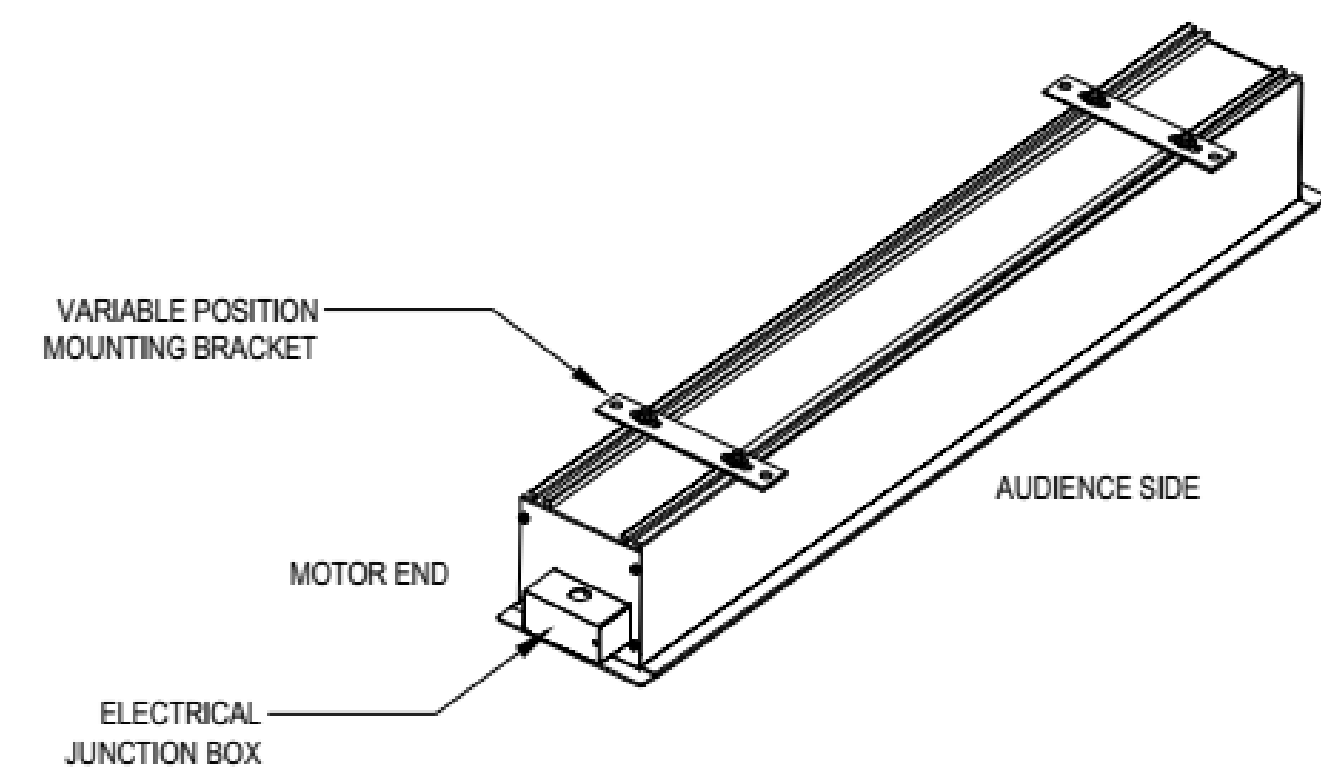
4 PROJECTOR MOUNTING OVER 50LBS

ROOM 408



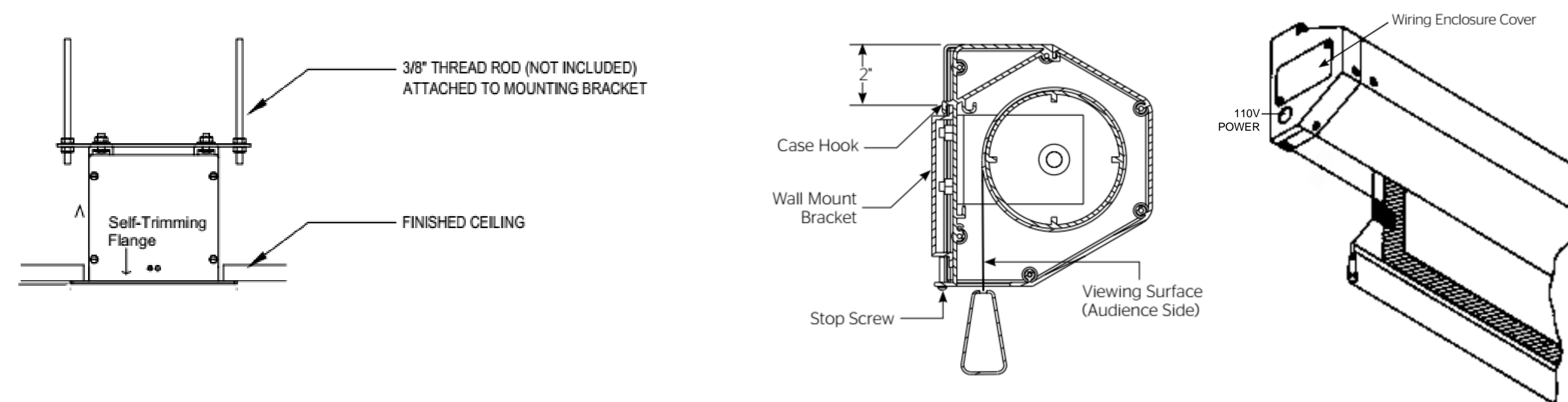
5 PROJECTOR MOUNTING UNDER 50LBS

ROOMS 107,107B, 121



6 CEILING MOUNTED SCREEN

ROOMS 107, 107B, 121, & 206



7 WALL MOUNTED SCREEN

ROOM 408

Rev	Date	Notes	By
1	10/07/2021	Review	BK

Drawing Name:
Rawlings Renovation
SO#
PR# 2780
Drawing No:
AV 4.02