

# Network Infrastructure Upgrade


Presented By:

Charles Hutchins

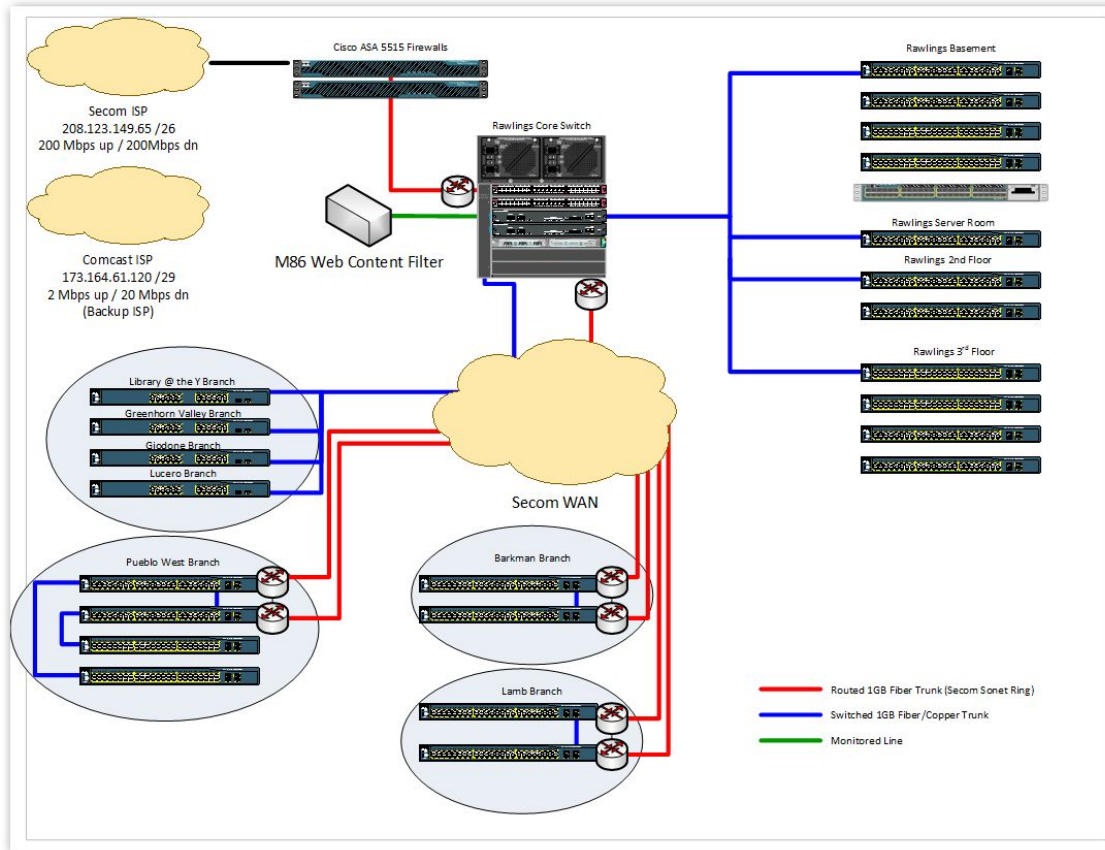
Director of Information Technology

April 27th, 2017

# Network Infrastructure Upgrade

- Current Equipment Installed 2008
  - Network Assessment Conducted in 2016
  - Phased Upgrade 2017 & 2018
  - eRate FY 17-18
  - Recommended Procurement
- 

# Current Network Infrastructure



- Initially Installed 2008
- Limited PoE Availability
  - Phones (2011)
  - Security Cameras
  - Wireless APs
- 1 Gigabit Trunks

# Network Assessment

- Conducted by Flair Data Systems in 2016
- Analyzed Current Environment
- Recommended Configurations Changes
- Recommended New Hardware (10 Gigabit Trunks)
  - Cisco WS-C3650-48FD-S
  - Cisco WS-C2960X-48FPD-L



# Phased Upgrade

2017 (Budgeted \$50k in Capital Hardware Replacement Plan)


- 10 Switches
- 10 Access Points
- Configuration Changes

2018

- Remaining Switches
- Remaining Access Points
- WAN Links

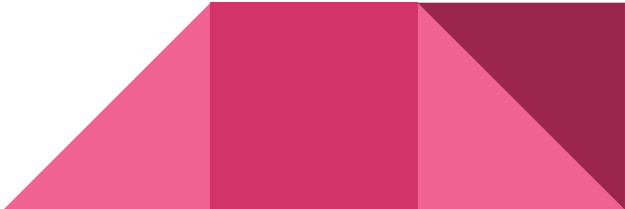


# eRate FY 17-18

- Category 2 Equipment
  - Based on Library SqFt
  - 80% Reimbursement
  - Submitted form 470 (bid request)
  - No Bidders met Requested Hardware
  - Solicited Bids from Colorado State OIT Vendor List
- 

# Recommended Procurement

		Vendors				
		CDW-G		WWT		Sirius
QTY	Items	Price per	Extended	Price per	Extended	No Bid
5	WS-C3650-48FD-S	\$5,020.82	\$25,104.10	\$7,021.00	\$35,105.00	
5	WS-C2960X-48FPD-L	\$3,351.83	\$16,759.15	\$4,717.05	\$23,585.25	
1	AIR-AP2802I-xK910	\$7,441.61	\$7,441.61	\$7,640.50	\$7,640.50	
			\$49,304.86		\$66,330.75	



# Recommended Procurement

Recommend Procuring Phase 1 Network Upgrade Hardware from CDW-G  
Amount not to exceed: \$49,304.86.

eRate Reimbursement:

70% (\$34,513.40) - PCCLD Cost (\$14,791.46)

80% (\$39,443.89) - PCCLD Cost (\$9,860.97)

