

# Network Infrastructure Upgrade

## Round 2


Presented By:

Charles Hutchins

Director of Information Technology

Feb 13th, 2018

# Network Infrastructure Upgrade (Round 2)


- Current Equipment Installed 2008 (& now 2017)
  - Network Assessment Conducted in 2016
  - Phased Upgrade Planned for 2017 & 2018
  - Leverage eRate Category 2 Monies to help with Costs
  - eRate FY 17-18 ~\$50k Spent
  - eRate FY 18-19 \$50k + \$10k Budgeted
- 

# Phased Upgrade

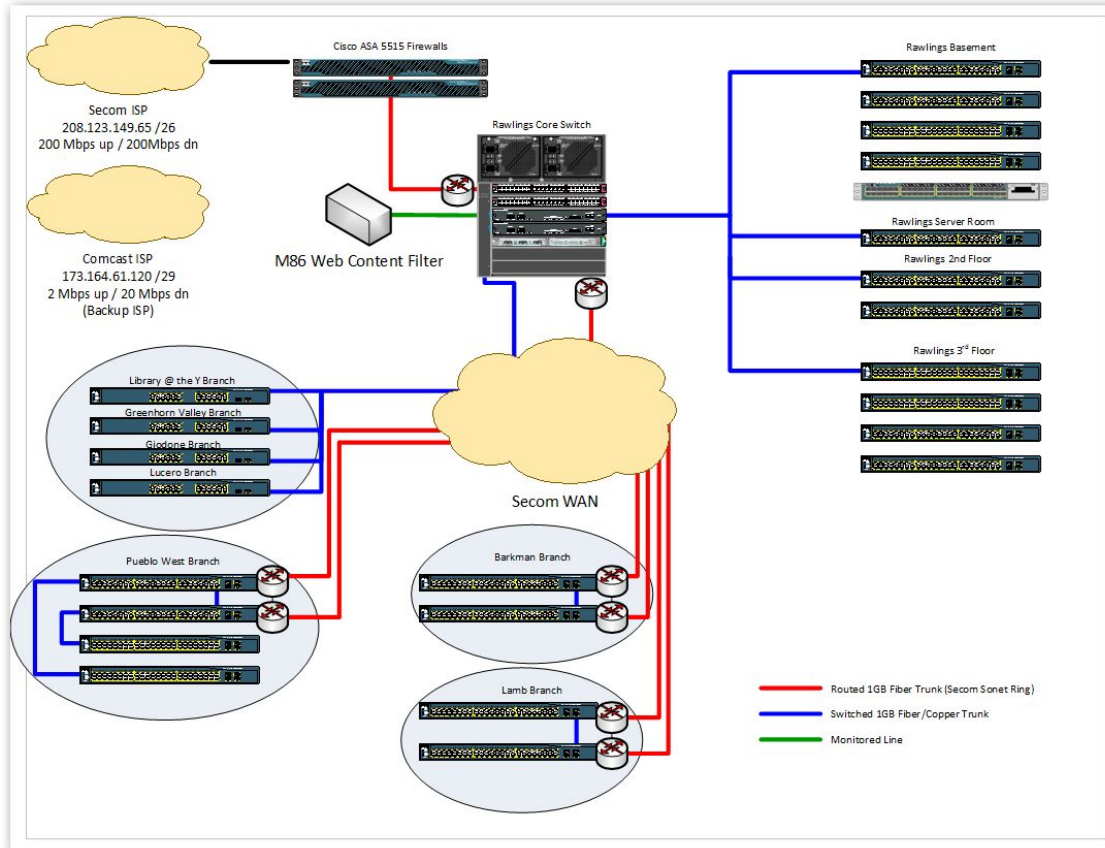
2017 (Budgeted \$50k in Capital Hardware Replacement Plan)

- 10 Switches
- 10 Access Points
- Configuration Changes

2018 (Budgeted \$50k for network hardware & \$10k for Firewall)

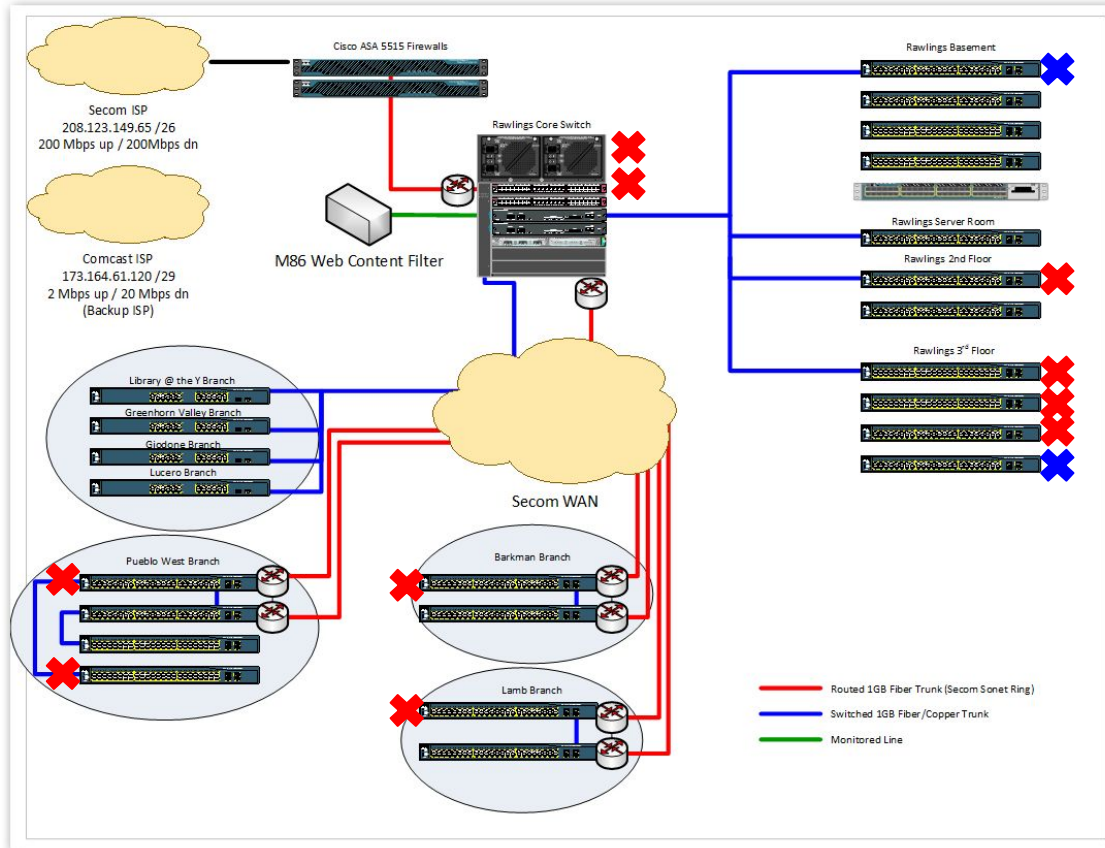
- 13 Switches
  - 5 Additional Access Points
  - WAN & ISP services
  - Replace Firewall
  - Upgrade Rawlings Fiber optics
- 

# Initial Network Infrastructure



- Initially Installed 2008
- Limited PoE Availability
  - Phones (2011)
  - Security Cameras
  - Wireless APs
- 1 Gigabit Trunks

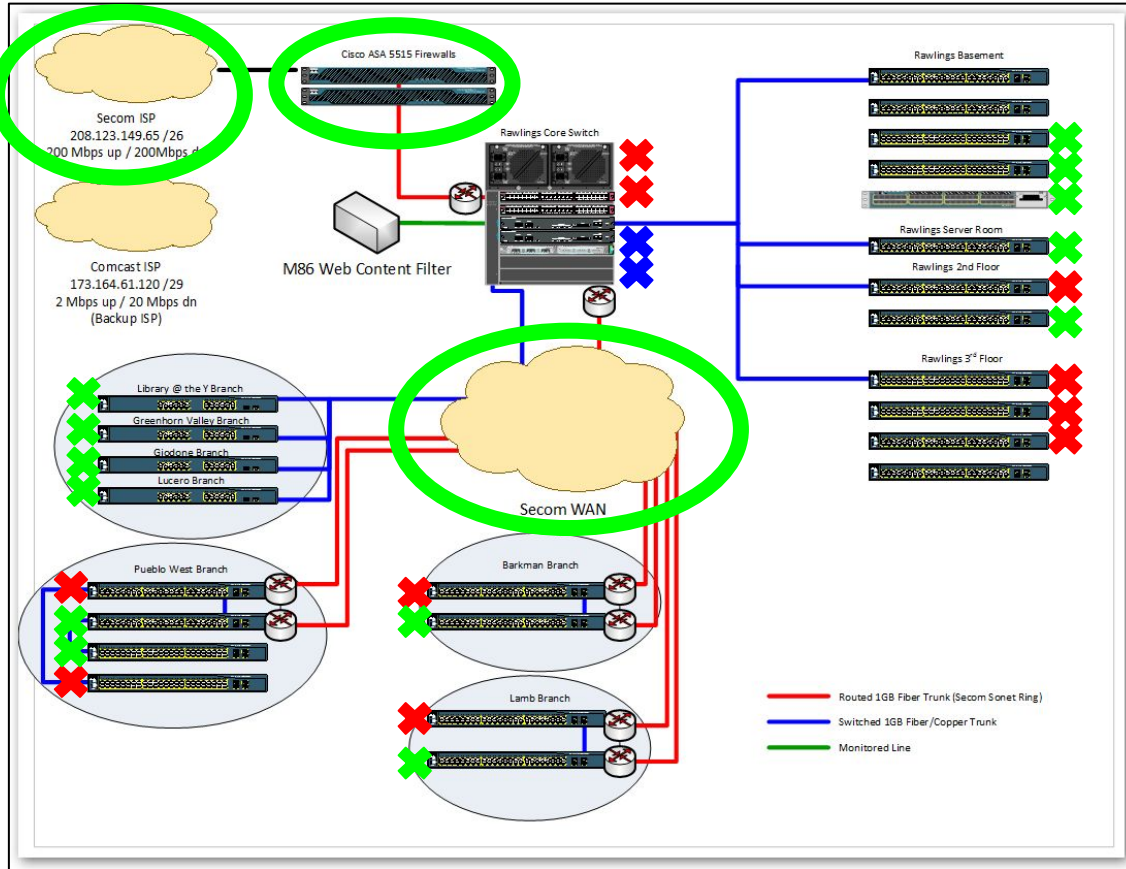
# Round 1 Replacements



		CDW-G	
QTY	Items	Price per	Extended
5	WS-C3650-48FD-S	\$5,020.82	\$25,104.10
5	WS-C2960X-48FPD-L	\$3,351.83	\$16,759.15
1	AIR-AP2802I-xK910	\$7,441.61	\$7,441.61
			\$49,304.86

- Replaced 10 Switches ✖
- Relocated 2 Switches ✕
- Updated Wireless APs
- Simplified WAN Routing

# Round 2 Plan



- Rebid our WAN & ISP Services
- Replace Firewall with NextGen Layer 7 Capable Hardware
- Replace 13 Remaining Older Switches
- Replace/Upgrade Rawlings Fiber
- Improve WiFi Saturation

# WAN & ISP Services

- Current Vendor for both is Secom
- ~70-80% eRate Reimbursement
- Current Costs ~\$210k/yr
  - ~\$29,700/yr in ISP Services
  - ~\$178k/yr in WAN Services
  - ~\$2k/yr in Telco Services fees



## eRate FY 18-19

- Submitted a Form 470 (eRate's Bid Request 28 day window)
- Category 1 - WAN & ISP Services (included an RFP)
- Requesting Multi-Year Pricing for both services
- Category 2 - Cabling, Switches, Firewall & WAP
- Bids due Feb 20th





Recommendation

Coming Soon....!

